



FIBT-1550-10

1550nm FIBER OPTIC TRANSMITTER



KEY FEATURES

- » 47 to 1218 MHz RF bandwidth for DOCSIS 3.1 compatibility
- » High performance and low power consumption GaAs technology
- » 1550 nm DFB laser with a +10 dBm output power level
- » RF AGC for optimum laser performance
- » LCD front panel status display with built-in microprocessor
- » SNMP network management for remote monitoring
- » ETL certified

PRODUCT OVERVIEW

The **FIBT-1550-10** (Fiber Optic Transmitter) is an ideal solution to seamlessly transport high-speed digital data over single-mode optical fiber. It is designed to transport data streams that adhere to DOCSIS 3.1 standards and/or were generated utilizing high order quantization techniques, such as QAM 1024, 8PSK, and COFDM.

The **FIBT-1550-10** is built with a directly modulated DFB laser, providing low-noise and high-linearity performance. The RF AGC and pre-distortion circuit insures the optimum laser drive level for the best overall CNR, CSO, and CTB operation.

The laser output power, unit temperature, and RF input level are accurately monitored by a built-in microprocessor and shown on the front panel LCD display, in addition to unit function messages. Remote status monitoring is provided through SNMP network management.

ORDERING INFORMATION

MODEL	STOCK#	DESCRIPTION
FIBT-1550-10	7605	Fiber Optic Transmitter, Single-mode, DFB Laser; 1550 nm, +10 dBm Output

FIBT-1310 SERIES

SPECIFICATIONS



OPTICAL	
Operating Wavelength	1550 nm ± 20 nm
Optical Power Output	10 dBm (10 mW)
Laser Type	Class 1 Cooled DFB (directly modulated; Hazard Level 1)
Beam Divergence Angle:	8° max
Connector	SC/APC (FC/APC connection adapter is sold separately for applications requiring it. See below under "Accessories")

LINK PERFORMANCE*	
CNR	≥ 51 dB
CSO	< -62 dBc
Operating Humidity	< -65 dBc

* 77 CW carriers (50-550 MHz) and digital channels (550 - 1218 MHz, RF level 10 dB lower) at -1 dBm optical input into a Blonder Tongue FTTB receiver.

RF	
Connector	"F" Female
Frequency Range	47-1218 MHz
Input Level	15-25 dBmV
Flatness	±1.0 dB
Impedance	75 Ω
Return Loss	≥ 16 dB
AGC Range	0-15 dB
MGC Range	0-15 dB

GENERAL	
Dimensions (W x H x D)	19.0 x 1.75 x 15.31 in (483 x 44 x 369 mm)
Weight	7.0 lbs (3.18 kg)

POWER	
Power Supply	100-240 VAC 50/60 Hz
Power Consumption	15 W

ENVIRONMENTAL	
Operating Temperature Range	32 to 113 °F (0 to 45 °C)
Relative Humidity	0 to 95%, non-condensing

ALARMS & MONITORING	
Local Monitoring	1x Status Tri-Color LED (Red, Green, Amber)
Local Control	Display: LCD Navigation: 3 Buttons for LCD (Up/Down/Enter)
Remote Monitor/Control	SNMP: RJ45 Connector @ 100/1G

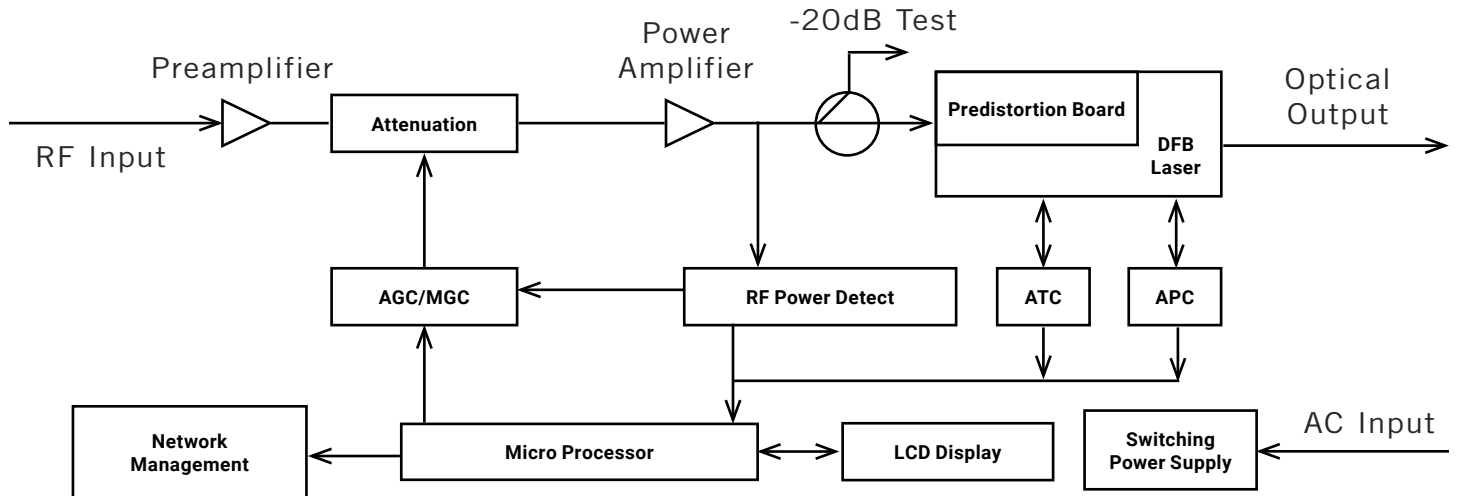
ACCESSORIES

STOCK#	STOCK#	DESCRIPTION
FC/APC Adapter	7607	SC/APC Male to FC/APC Female Connector Adapter

FIBT-1550-10

1550nm FIBER OPTIC TRANSMITTER

FUNCTION BLOCK DIAGRAM



ORDERING INFORMATION

MODEL	STOCK#	DESCRIPTION
FIBT-1550-10	7605	Fiber Optic Transmitter, Single-mode, DFB Laser; 1550 nm, +10 dBm Output



SALES DEPARTMENT
sales@blondertongue.com

CUSTOMER SERVICE
custsvc@blondertongue.com

CONNECT WITH US

