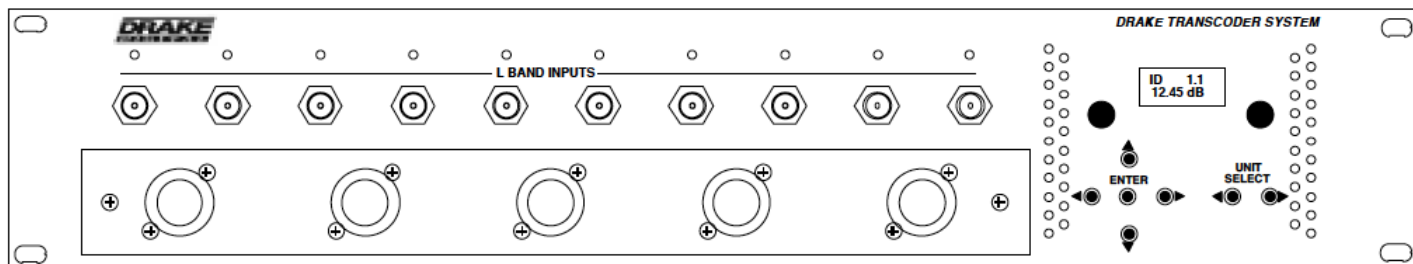




SCT3860 Transcoder System

Instruction Manual



DRAKE is a registered trademark of the R.L. Drake Holdings, LLC

© Copyright 2012 R. L. Drake Holdings, LLC P/N: 651228300A Printed in U.S.A.

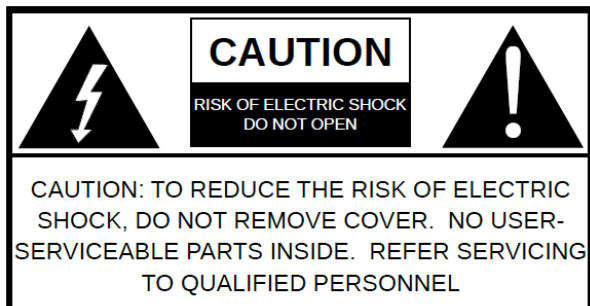
Rev: 20120716
1002383

2 Table of Contents, Caution, & Important Safety Instructions

CAUTION STATEMENTS	2
IMPORTANT SAFETY INSTRUCTIONS	2
SPECIFICATIONS	4
GENERAL DESCRIPTION	5
INSTALLATION AND MOUNTING.....	6
CONTROLS AND CONNECTIONS	7
LNB INPUT / SETUP AND PROGRAMMING	9
ADDITIONAL FEATURES	12
CATV CHANNEL FREQUENCIES	15
BROADCAST TV CHANNEL FREQUENCIES	16
SERVICE / IF YOU NEED TO CALL FOR HELP	17
WARRANTY	19

Caution Statements:

WARNING: TO PREVENT FIRE OR ELECTRICAL SHOCK, DO NOT EXPOSE TO RAIN OR MOISTURE



A product and cart combination should be moved with care. Quick stops, excessive force and uneven surfaces may cause the product and cart combination to overturn.



The lightning flash with arrow head symbol, within an equilateral triangle, is intended to alert the user to the presence of uninsulated "dangerous voltage" within the product's enclosure that may be of sufficient magnitude to constitute a risk of electric shock to persons.



The exclamation point within an equilateral triangle is intended to alert the user to the presence of important operating and maintenance (servicing) instructions in the literature accompanying the product.

WARNING: TO REDUCE THE RISK OF FIRE OR ELECTRIC SHOCK, DO NOT EXPOSE THIS PRODUCT TO RAIN OR MOISTURE. DO NOT OPEN THE CABINET, REFER SERVICING TO QUALIFIED PERSONNEL ONLY.

CAUTION: TO PREVENT ELECTRIC SHOCK, DO NOT USE THIS (POLARIZED) PLUG WITH AN EXTENSION CORD RECEPTACLE OR OTHER OUTLET UNLESS THE BLADES CAN BE FULLY INSERTED TO PREVENT BLADE EXPOSURE.

ATTENTION: POUR PREVENIR LES CHOCS ELECTRIQUES, NE PAS UTILISER CETTE FICHE POLARISEE AVEC UN PROLONGATEUR, UNE PRISE DE COURANT OU UNE AUTRE SORTIE DE COURANT, SAUF SI LES LAMES PEUVENT ETRE INSEREES A FOND SANS EN LAISSER AUCUNE PARTIE A DECOUVERT.

Important Safety Instructions:

1. **Read Instructions:** All the safety and operating instructions should be read before the product is operated.
2. **Retain Instructions:** The safety and operating instructions should be retained for future reference.
3. **Heed Warnings:** All warnings on the product and in the operating instructions should be adhered to.
4. **Follow Instructions:** All operating and use instructions should be followed.
5. **Cleaning:** Unplug this product from the wall outlet before cleaning. Do not use liquid cleaners or aerosol cleansers. Use a damp cloth for cleaning.
6. **Attachments:** Do not use attachments that are not recommended by the product manufacturer as they may cause hazards.
7. **Water and Moisture:** Do not use this product near water—for example, near a bathtub, wash bowl, kitchen sink or laundry tub; in a wet basement; or near a swimming pool; and the like.

Important Safety Instructions (continued) 3

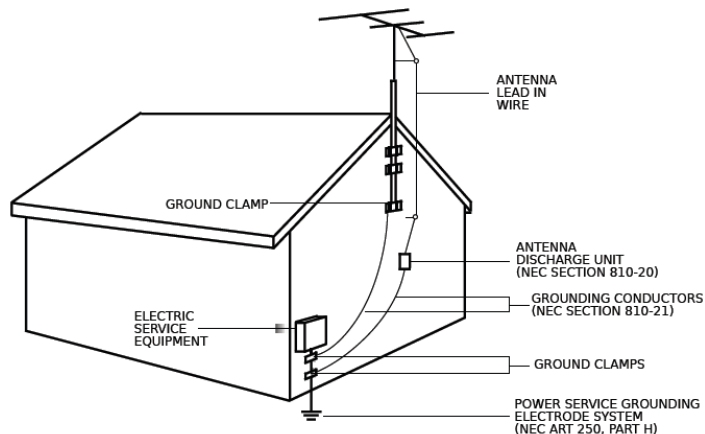
8. **Accessories:** Do not place this product on an unstable cart, stand, tripod, bracket, or table. The product may fall, causing serious injury to a child or adult, and serious damage to the product. Use only with a cart, stand, tripod, bracket, or table recommended by the manufacturer, or sold with the product. Any mounting of the product should follow the manufacturer's instructions, and should use a mounting accessory recommended by the manufacturer.
9. A product and cart combination should be moved with care. Quick stops, excessive force, and uneven surfaces may cause the product and cart combination to overturn.
10. **Ventilation:** Slots and openings in the cabinet are provided for ventilation and to ensure reliable operation of the product and to protect it from overheating, and these openings must not be blocked or covered. The openings should never be blocked by placing the product on a bed, sofa, rug, or similar surface. This product should not be placed in a built-in installation such as bookcase or rack unless proper ventilation is provided or the manufacturer's instructions have been adhered to.
11. **Power Sources:** This product should be operated only from the type of power source indicated on the marking label. If you are not sure of the type of power supplied to your home, consult your product dealer or local power company. For products intended to operate from battery power, or other sources, refer to the operating instructions.
12. **Grounding or Polarization:** This product may be equipped with a polarized alternating-current line plug (a plug having one blade wider than the other). This plug will fit into the power outlet only one way. This is a safety feature. If you are unable to insert the plug fully into the outlet, try reversing the plug. If the plug should still fail to fit, contact your electrician to replace your obsolete outlet. Do not defeat the safety purpose of the polarized plug. Alternate Warnings – If this product is equipped with a three-wire grounding-type plug, a plug having a third (grounding) pin, the plug will only fit into a grounding-type power outlet. This is a safety feature. If you are unable to insert the plug into the outlet, contact your electrician to replace your obsolete outlet. Do not defeat the safety purpose of the grounding-type plug.
13. **Mise à la terre ou Polarisation:** Cet appareil est équipé avec un cordon d'alimentation à trois fils. Il est à brancher sur une prise ayant un connecteur à la terre. Assurez-vous que la connection à la terre ne manque pas.
14. **Power-Cord Protection:** Power-supply cords should be routed so that they are not likely to be walked on or pinched by items placed upon or against them, paying particular attention to cords at plugs, convenience receptacles, and the point where they exit from the product.
15. **Lightning:** For added protection for this product during a lightning storm, or when it is left unattended and unused for long periods of time, unplug it from the wall outlet and disconnect the antenna or cable system. This will prevent damage to the product due to lightning and power-line surges.
16. **Power Lines:** An outside antenna system should not be located in the vicinity of overhead power lines, other electric light or power circuits, where it can fall into such power lines or circuits. When installing an outside antenna system, extreme care should be taken to keep from touching such power lines or circuits as contact with them may be fatal.
17. **Overloading:** Do not overload wall outlets, extension cords, or integral convenience receptacles as this can result in a risk of fire or electric shock.
18. **Object and Liquid Entry:** Never push objects of any kind into this product through openings as they may touch dangerous voltage points or short-out parts that could result in a fire or electric shock. Never spill liquid of any kind on the product.
19. **Servicing:** Do not attempt to service this product yourself as opening or removing covers may expose you to dangerous voltage or other hazards. Refer all servicing to qualified service personnel.
20. **Damage Requiring Service:** Unplug this product from the wall outlet and refer servicing to qualified service personnel under the following conditions:
 - a) When the power-supply cord or plug is damaged,
 - b) If liquid has been spilled, or objects have fallen into the product,
 - c) If the product has been exposed to rain or water,
 - d) If the product does not operate normally by following the operating instructions.

Adjust only those controls that are covered by the operating instructions as an improper adjustment of other controls may result in damage and will often require extensive work by a qualified technician to restore the product to its normal operation, e. If the product has been dropped or damaged in any way, and f. When the product exhibits a distinct change in performance—this indicates a need for service.

21. **Replacement Parts:** When replacement parts are required, be sure the service technician has used replacement parts specified by the manufacturer or have the same characteristics as the original part. Unauthorized substitutes may result in fire, electric shock or other hazards.
22. **Safety Check:** Upon completion of any service or repairs to this product, ask the service technician to perform safety checks to determine that the product is in proper operating condition.
23. **Wall or Ceiling Mounting:** The product should be mounted to a wall or ceiling only as recommended by the manufacturer.
24. **Heat:** The product should be situated away from heat sources such as radiators, heat registers, stoves, or other products (including amplifiers) that produce heat.

NOTE TO CABLE INSTALLER:

THIS REMINDER IS PROVIDED TO CALL THE CATV SYSTEM INSTALLER'S ATTENTION TO ARTICLE 820-40 OF THE NEC THAT PROVIDES GUIDELINES FOR PROPER GROUNDING AND, IN PARTICULAR, SPECIFIES THAT THE CABLE GROUND SHALL BE CONNECTED TO THE GROUNDING SYSTEM OF THE BUILDING, AS CLOSE TO THE POINT OF CABLE ENTRY AS PRACTICAL.



NEC - NATIONAL ELECTRIC CODE

Example of antenna grounding as per National Electrical Code, ANSI/NFPA 70

4 Specifications

SATELLITE INPUT

Frequency Range:	950 MHz to 2150 MHz
Tuning Increment:	500 kHz
Acquisition Range:	±5.0 MHz minimum
Input Level:	-25 dBm to -70 dBm
Input Impedance:	75 Ohms, return loss of 10 dB minimum
I/Q Phase Imbalance:	<1 Degree
I/Q Amplitude Imbalance:	<1dB
Mode:	QPSK, 8PSK
FEC:	DCII, DVB, advanced Turbo modes
VITERBI Autoscans:	1/2, 2/3, 3/4, 5/6, 6/7, 7/8 - DVB 5/11, 1/2, 3/5, 2/3, 3/4, 4/5, 5/6, 7/8 - DCII
Turbo QPSK modes:	1/2, 3/4, 2/3, 5/6, 7/8
Turbo 8PSK modes:	2/3, 5/6, 8/9, 3/4, 4/5
Input Data Rate:	2 Mbaud to 30 Mbaud.

QAM OUTPUT

Output Impedance:	75 Ohms, return loss of 10 dB minimum
Output Level:	+ 25 to +40 dBmV, displayed
Display Error:	± 2 dB maximum
Level Adjustment Increment:	1 dB, nominal
Frequency Range:	54 MHz to 864 MHz
Frequency Plan:	Standard, IRC, or HRC CATV channels or off-air broadcast channels.
Broadband Spurious:	-60 dB, 5 MHz to 900 MHz
Broadband Noise:	-75 dBc, 6 MHz bandwidth
Phase Noise:	-103 dBc/Hz @ 10 kHz offset
Frequency Stability:	± 5 kHz
QAM I/Q Phase Error:	<1 degree
Channel Amplitude Error:	<1 dB
Carrier Suppression:	45 dB
MER:	>40 dB, with blind equalizer.
Mode:	16, 32, 64, 128, 256, 512, 1024 QAM
Symbol Rate:	1 Mbaud to 7 Mbaud
FEC:	ITU-T J.83 Annex A or Annex B

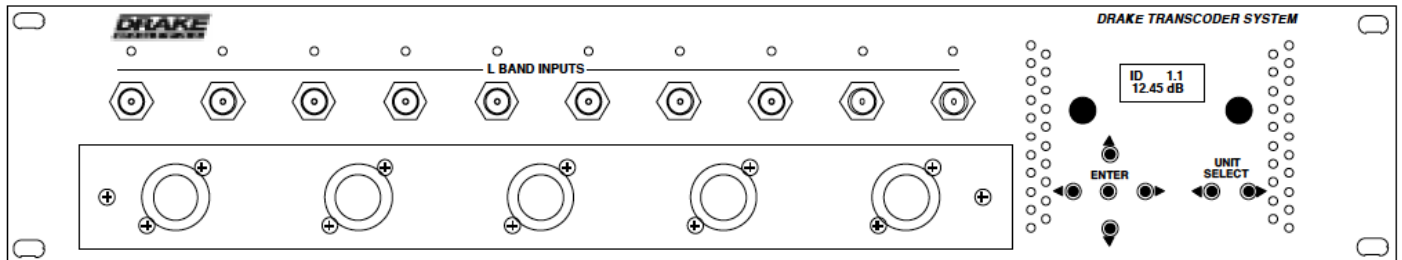
RS232 CONTROL

Data Link:	4800 baud interface to PS151 via power supply cable.
RS232 Input:	DB-9 connector on PS151 for connection to modem or PC.
RS232 Output:	DB-9 connector on PS151 for connection to additional transcoders.

GENERAL

Operating Temperature Range:	0° C to +50° C, ambient.
Size:	1.1" W x 3.4" H x 13.25" D.
Weight:	1 lb. 6 oz.
Power Requirement:	All voltages are provided by the Drake model PS151 power supply. PS151 power requirement: 90 to 260 VAC / 150 W, maximum w. 10 transcoders powered.

Specifications subject to change without notice or obligation.



General Description

The R.L. Drake model SCT3860 is a professional quality, modular, digital headend component providing QPSK or 8PSK input to QAM transmodulation and RF upconversion functions in a single module. Up to ten SCT3860 modules and a power supply module can be accommodated in the RMT150 rack mounting tray, occupying only a 2 unit (3.5") high rack space. The SCT3860 can transcode DigiCipher II or DVB digital satellite signals, including those with advanced turbo satellite FEC modes, outputting QAM modulation.

The SCT3860 accepts L band RF inputs between 950 and 2150 MHz from the LNB at the satellite dish. The transcoder demodulates the selected satellite QPSK or 8PSK signal. The forward error correction (FEC) imbedded in the data stream is used to help retrieve an error free digital transport stream containing the desired digital programming multiplex.

The transcoder then applies cable environment FEC to this stream and remodulates using QAM modulation that occupies a nominal 6 MHz wide cable channel slot. QAM modes up through 1024QAM are supported.

The RF upconverter then upconverts the IF QAM signal to the selected output channel - any standard EIA, IRC, or HRC CATV channel or a broadcast off-air channel frequency in the range of 54 to 860 MHz.

Bandpass flatness and phase noise are very closely controlled in the SCT3860 to insure a high MER and S/N ratio of the output signal. This insures that the transcoder will not introduce a source of errors into the distribution process. Because the MPEG2 transport stream information is not modified by the transcoder, all encryption, authorization, and program guide information is passed on to the CATV set top box, unchanged.

6 Installation and Mounting

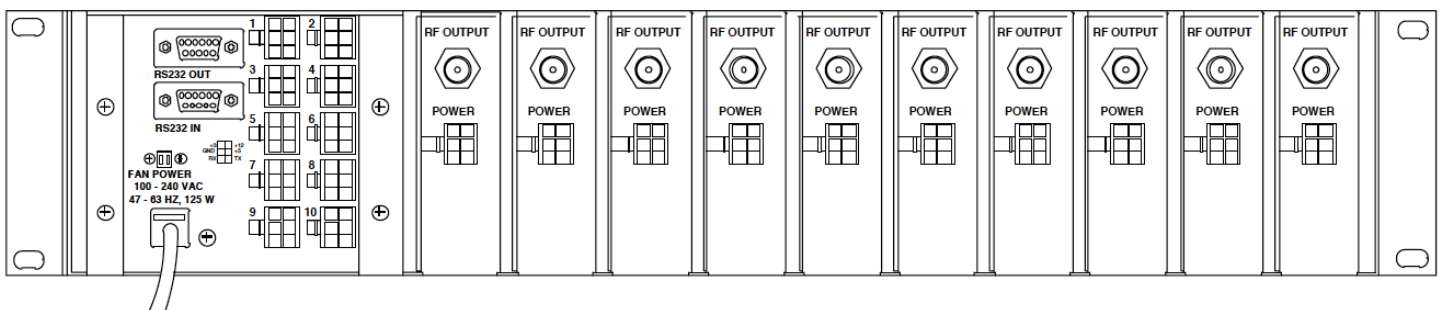
Installation and Mounting

Install the SCT3860 transcoders in the RMT150 rack mounting frame. Slide each module into the tray so that the "F" connector extends through the front panel hole, the LED is properly aligned behind its front panel hole, and the hook shaped projection on the bottom of the module engages the rear of the mounting tray. Secure the module with the supplied standard 1/2 inch "F" connector mounting nut and nylon washer.

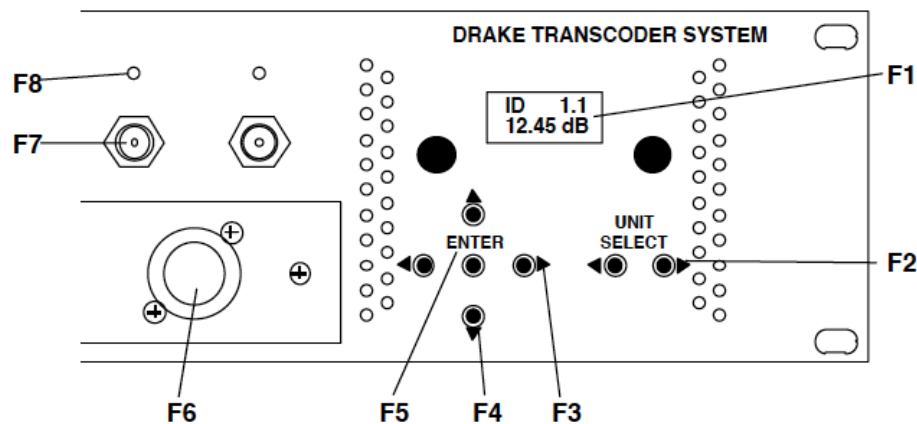
Similarly, mount the PS151 power supply in the RMT150 tray, making sure that the LCD display and control buttons line up with their corresponding holes in the front panel, and that the hook shaped projections on the rear of the unit engage the rear of the mounting tray. Secure the unit in place, with the supplied Philips head black screws, from the front panel. Connect each SCT3860 to the PS151 with the cable included with the SCT3860. Each SCT3860 can connect to any one of the ten sockets on the power supply. However, to minimize confusion, it is suggested that the left most unit (as viewed from the front panel) be connected to power supply socket number 1, the second from the left to number 2, etc.

Connect the LNB signal to each SCT3860 module at the front panel connector. Connect each SCT3860 RF output "F" connector on the rear of the unit to the output combiner. The Drake model LBS2250 is a combination LNB L band multiswitch/amplified splitter in addition to a CATV output combiner. It provides these functions in only 1 RU of rack space. Also, plug the cable from the front panel fan module into the FAN POWER receptacle on the rear of the power supply. Plug the line cord from the PS151 into the AC power source. SCT3860s can be mixed with SCT1860s, SCT2860s, or SCT4860s and one PS151.

When installing the RMT150 tray of transcoders, it is not necessary to leave a vertical airspace between the transcoder tray and other equipment unless that other equipment specifies that a space should be left open. The air flow through the transcoders and power supply has been designed to allow immediate adjacent mounting of multiple RMT150 trays with SCT3860 transcoders and PS151 power supplies installed. Of course, air spaces may be left in between RMT150s if desired.



Front Panel Controls and Indicators



F1 - LCD Display - This displays the PS151 or selected transcoder parameter and its setting.

F2 -UNIT SELECT (Left) and (Right) Buttons - These select either the PS151 power supply or one of ten SCT3860 transcoders. Information from the selected unit will be displayed on the LCD display for parameter adjustment. When either button is pressed once, the LED of the selected transcoder will blink for about 3 seconds, but the unit selected will not change. The second press within 3 seconds will increment () or decrement () to the next higher or lower numbered unit. The PS151 power supply menu falls between transcoder numbers 10 and 1.

F3 - (Left) and (Right) Buttons - Use the left or right buttons to navigate from screen to screen to view a parameter setting. This will not alter any settings. If in the adjust mode, stop at the parameter you wish to adjust and use the (up) and (down) buttons to adjust.

F4 - (Up) and (Down) Buttons - Use the up and down arrows to adjust a parameter value when in the adjust mode. When not in the adjust mode, pressing the (up) button will display the software version readout, and pressing the (down) button will display the QAM modulation output baud rate readout.

F5 - ENTER - Use the ENTER button to enter the adjust mode or to save and load a new setting or settings. Hold for 2 seconds until the display flashes to enter the adjust mode. After adjustment using the up or down arrow buttons, press again to save and load the new settings. You may save one parameter at a time after it is adjusted or wait until all adjustments are made and press to save and load all at once.

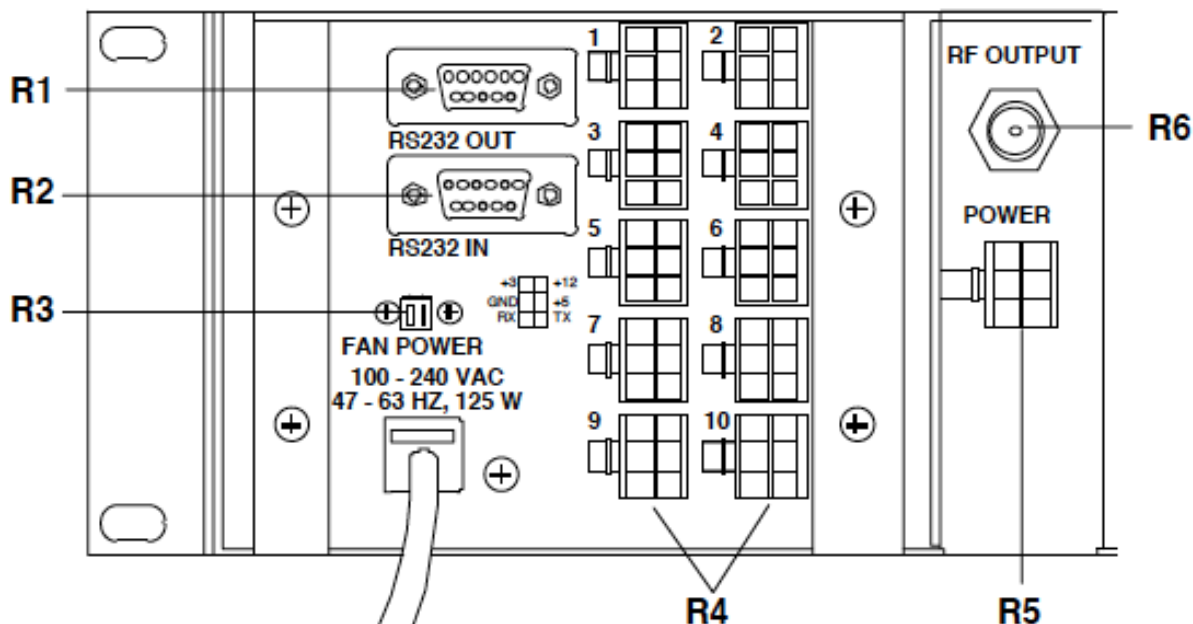
F6 - FAN - One of five front panel cooling fans. To ensure proper cooling, do not block these openings.

F7 - L BAND INPUTS - These are the L band inputs from the LNB. The level must be between -70 and -25 dBm. The L band frequency range will be in the 950 to 2150 MHz range.

F8 - LED - The LED on each SCT3860 will blink on and off for approximately 3 seconds when that unit is selected. When in the adjust mode, it will blink continuously. When in the normal mode, it will be lit continuously whenever power is applied.

8 Controls and Connections (continued)

Rear Panel Connections



R1 - RS232 OUT - This RS232 serial connector can connect to the RS232 IN connector on another rack containing a PS150, PS151, or PS100 power supply (included transcoders could be SCT860, SCT1860, SCT2860, SCT3860 or SCT4860 transcoders), thus allowing computer control of multiple racks of these units with the same PC connection.

R2 - RS232 IN - Connecting this RS232 serial connector to the serial port of a personal computer equipped with Drake RS232 remote control software, allows remote monitoring and programming of each transcoder. Alternatively can be connected to the Drake SCTeci. No connection is required for front panel control.

R3 - Fan Power- Connect the two conductor cable from the front panel fans to this connector.

R4 - Power Out - These connectors are for connecting the power cables from each individual SCT3860 to the PS151 power supply. The other end of each cable can be plugged into any one of the ten transcoders. However, to minimize confusion, it is strongly suggested that the left most unit (as viewed from the front panel) be connected to power supply socket number 1, the second from the left to number 2, etc. Do not attempt to use any power supply other than this Drake supplied model.

R5 - Power In - This connector supplies power and program control to the SCT3860. Connect a cable from this connector to the appropriate connector on the PS151 power supply (see R4 above).

R6 - RF Output - This is the QAM output channel RF output. The frequency range is between 54 and 864 MHz depending upon the channel selected. The output level is +25 to +40 dBmV, nominal, adjustable in 1 dB steps.

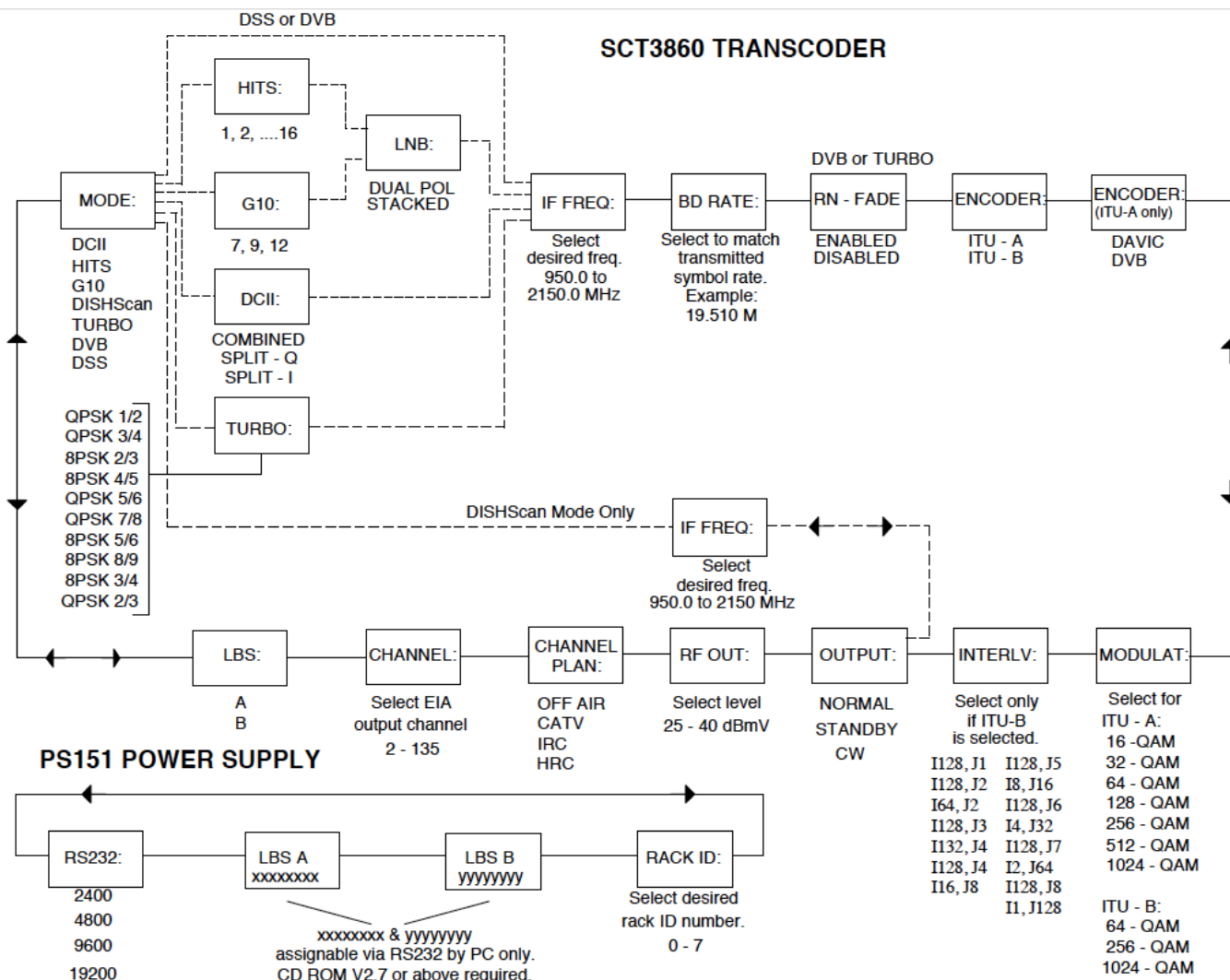
NOTE: Although the above discussions refer to the SCT3860 transcoder modules, other Drake transcoders may be mixed with SCT3860s in the same RMT150 rack mounting tray. These include the SCT1860, SCT2860, and SCT4860. The PS151 power supply/control module will recognize each type of transcoder. Also, SCT860 transcoders, although controlled by a different power supply model, the PS100, can have the RS232 control 'daisy chained' with the PS150 and PS151 controlled transcoders.

LNB Input and LNB Powering

The SCT3860 receives its input signal from the IF output of the LNB located on the satellite dish. Because this LNB output usually is split among multiple transcoders, the LNB power must be obtained from a separate power inserter and supply that is connected ahead of an L band splitter. The SCT3860 does not have the capability to supply LNB power.

SETUP AND PROGRAMMING

The programming of each SCT3860 in an RMT150 rack mounting tray is done from the PS151 power supply mounted in that rack. The UNIT SELECT buttons on the PS151 are used to select the unit to be programmed, including the PS151 itself. The actual programming is done via the five buttons on the left side of the PS151. If the RS232 remote control is connected, all programming other than the setting of the PS151 RACK ID number and password programming can be done remotely. The chart below shows each of the menus that are available for parameter set up and/or viewing for both SCT3860s and the PS151 Power Supply. Pressing the left or right arrow buttons will navigate through these menus. You may do this without danger of disturbing any of the current settings. As you navigate through the menus, the parameter is listed on the top line of the display and the current setting is shown on the bottom line. For set up purposes, it is best to progress clockwise in the chart below (use the right arrow button), starting from the RS232 adjustment on the PS151 and the MODE menu for each of the SCT3860s. The charts below show all of the settings that are available through these menus.



10 Setup and Programming (continued)

To adjust /set a parameter(s), enter the adjust mode by pressing the center "ENTER" button for several seconds until the display begins to flash. You are now in the adjust mode and the up and down buttons will take you through the various parameters. Find the desired setting and then use the right arrow to progress to the next menu. After setting all parameters in all menus, press the "ENTER" button once. This will load the settings and save them in memory.

Pressing the left or right UNIT SELECT button will also load the settings and save them in memory , just as would pressing the "ENTER" button, in addition to moving to an adjacent transcoder.

Note that many of the parameters will not be changed until the "ENTER" button is pressed. These include: MODE related settings, LNB type, IF FREQ, BD RATE, ENCODER, MODULATE, and INTERLV. If you need to see the result of a change right away for these parameters, press the "ENTER" button to load and store the new parameter setting and then you can reenter the adjust mode by pressing the "ENTER" button again for several seconds. The RACK ID, RS232, OUTPUT, RF OUT level, and CHANNEL (output) settings will all change immediately as soon as they are adjusted.

PRESETS FOR HITS

The SCT3860 provides factory loaded presets for HITS. When a preset is selected and entered, all of the operating parameters for the satellite tuner, demodulator and for the QAM modulator are set to the preset settings. You will then need to set only the output channel and level and LNB related parameters. Note that selecting and entering the HITS options in the mode menu, changes any other parameters that might have been adjusted previously to the preset values. If you do not wish to use presets, be sure that you have chosen the DCII selection before pressing the enter button to load and save the values.

SCT3860 QUICK START for HITS - Front Panel Control

- 1) Connect cables from LNB, to output combiner, and to PS151 power supply.
- 2) Plug PS151 AC line cord into power source.
- 3) Use the Unit Select (Left) and (Right) buttons to select the PS151 power supply.
- 4) Push ENTER button on PS151 for 2 seconds until display flashes to enter adjust mode.
- 5) Use the Unit Select (Left) or (Right) buttons to select RS232.
- 6) Use (Up) or (Down) buttons to set to 4800 unless another rate is indicated when setting up a modem interface. Press ENTER to save this setting.
- 7) Use the Unit Select (Left) and (Right) buttons to select the desired SCT3860.
- 8) Push ENTER button on PS151 for 2 seconds until display flashes to enter adjust mode.
- 9) (Left) arrow - CHANNEL menu - Use the (Up) or (Down) arrow buttons to select the desired EIA CATV output channel for this program multiplex.
- 10) (Right) arrow - MODE menu - Up or Down arrows to select HITS.
- 11) (Right) arrow - HITS menu. Up or Down arrows to select the desired multiplex corresponding to the EIA output channel that you set in step 9. This correlation is determined by the channel map used for your installation.
- 12) (Right) arrow - LNB menu - Up or Down arrows - STACKED or DUAL POL - Set to the type you are using.
- 13) ENTER - Push once to store and load all of the above settings.

By selecting the HITS mode in step 10, instead of the generic DCII setting, many of the other adjustable parameters have been preset to the values required for these networks, determined by the preset programming in the SCT3860. If you reenter the adjust mode later and make changes to the preset parameters or if you altered any of the parameters that were preset during the steps above such that the values do not match the preset values, the display in the mode menu will revert to DCII.

If the dish has been aimed, you should now see a SN readout on the display. If it is less than 7 dB, the transcoder will not stay locked to the satellite signal. If the SN reading is showing only around 2 dB, you likely are not pointed at the correct satellite or the dish is not peaked. For reliable operation, the SN level should be above 10 dB and preferably even higher. The better the margin above the approximately 7 dB threshold, the less likely you will encounter drop outs due to thunderstorms or snow storms.

NOTE: If you are using the RS232 remote control program, all of the above adjustments may be made via the PC, except the RACK ID assignment for the PS151 module.

DISH NETWORK AUTO SET

When using the SCT3860 for DISH Network, select DISHScan from the MODE menu. Next, in the IF FREQ menu, select the IF frequency that corresponds to the DISH Network transponder that is desired. You will then advance all the way to the OUTPUT menu as the SCT3860 will automatically search for and set the satellite symbol rate and FEC. Based on what is found, the SCT3860 will then automatically select the proper QAM encoding, QAM modulation level, Interleave, etc. Finally, set the desired output level and EIA channel in the appropriate menus.

If the modulation on a particular transponder is changed by DISH in the future, the SCT3860 will automatically reacquire the new signal, assuming it's on the same frequency, and automatically set the various satellite demodulator and QAM modulator parameters.

Using the presets will significantly shorten the set up time for a new headend. These preset settings can be altered at any time if the required parameters change in the future. Whenever DISHScan is selected, the rain fade logic is automatically enabled.

TURBO FEC

Some advanced satellite FEC modes may be selected under the TURBO menu.

12 *Additional Features*

OUTPUT LEVEL

The SCT3860 provides a +40 dBmV QAM output level that is desirable when transcoders are combined with analog modulators that have +45 dBmV output level. The SCT3860 output level can be turned down as much as 15 dB if a lower level is desired. Each SCT3860's RF output level can be read out on the PS151 power supply LCD when that unit is selected, or via the RS232 remote connection.

Because some operators may not have test equipment designed to measure QAM power levels, and analog meters may be grossly inaccurate if a QAM signal is read, the SCT3860 has a CW output mode that can be useful for measuring/adjusting the output level of the transcoder with any meter that measures CW carrier power. A special QAM instrument is not required. No input signal is required for this measurement. The CW carrier power is equal to the QAM power level that will result when the unit is returned to a normal QAM modulation mode.

IMPORTANT NOTE: When the SCT3860 is placed in the continuous wave (CW) mode, the output carrier frequency will be at the center of the output channel. It will not be located at the NTSC video carrier frequency. Adjust test equipment accordingly to obtain an accurate result.

The PC control software allows all transcoders to be easily switched to the CW mode at one time for set up purposes. After any level tweaks are made, they can all be switched back to normal mode at one time. It is also possible to individually select a single transcoder to be switched to the CW mode, if desired. In a typical leveling process, the output of the headend is monitored after the final combiner and all analog channel levels are set to the desired level. Then, with the SCT3860s all set for CW output, the SCT3860 CW carrier levels can be all tweaked to a desired level (usually 6 to 10 dB) below the analog video carrier levels. When switched back to normal mode, the SCT3860s will all be outputting QAM channel powers equal to the CW powers set up.

RAIN FADE LOGIC

When the rain fade feature is enabled, the transcoder will mute its RF output whenever the input S/N drops below a usual level. This logic is always enabled in the DISHScan mode.

STANDBY MODE

The SCT3860 has a standby output mode which turns off the RF output. This can be used when it is desirable to keep a backup unit on line. The standby mode can be selected via the OUTPUT menu.

POWER SUPPLY

The SCT3860 requires multiple power supply voltages that are all obtained from the Drake model PS151 power supply module. The PS151 mounts in the RMT150 rack tray along with one to ten SCT3860 (or other similar Drake models) transcoders. The PS151 buffers and distributes the RS232 remote control data from its DB9, RS232 INPUT connector to up to ten transcoders and to the DB9, RS232 OUTPUT connector. Multiple PS151s can be 'daisy chained' via the DB9 INPUT and OUTPUT connectors to allow control of up to 70 transcoder modules with a single connection to a PC.

The PS151 operates over a wide range of AC input voltages from 90 VAC to 264 VAC. The USA version has an attached 3 wire line cord. Power consumption from the AC line will be around 150 W maximum with ten transcoders installed. In many cases, the power will be below this level.

RS232 REMOTE CONTROL AND MONITORING

The SCT3860 provides for remote control and/or monitoring of all transcoder parameter settings. It is possible to view all of the current parameter settings including the output level setting for each transcoder. It is also possible to remotely monitor the SNR level and the baud rate. The LBS2250 settings may be monitored or changed. The transcoder parameter settings may be uploaded to a PC file for saving on the PC or a new parameter configuration from the PC file can be downloaded to the SCT3860. A single parameter may be adjusted if desired. It is possible to put all transcoders in or out of CW mode with a single command. A unit may be placed in or taken out of the standby mode. A password can be assigned to prevent unauthorized changes to parameter settings but the present settings can be read out remotely without entering the password. Further details on the RS232 control program are provided with the instructions included with the CDROM containing the control program (shipped with your PS151 power supply).

The previously described remote interface is accomplished by connecting an RS232 interface cable between the PS151 power supply DB9 INPUT connector and a PC serial port. The required program is supplied by Drake with the PS151 power supply. This setup will allow RS232 interfacing to up to ten SCT3860 transcoders connected to the PS151. When more than one tray of transcoders is used, the OUTPUT DB9 connector on the PS151 can be used to link to a second PS151 as well as a PS150 (SCT1860s) or a PS100 (SCT860s) in the same headend. Use a DB9 to DB9 RS232 jumper cable from the OUTPUT of the first supply to the INPUT of the second supply. You can extend this to additional supplies as long as the total number of PS151s to control does not exceed 7 (70 SCT1860/2860/3860/4860s) and the number of SCT860s does not exceed 64.

In order for the PC software to identify the proper SCT3860 to which you wish to connect, each SCT3860 must be assigned a unit ID number. The unit ID number consists of the rack number, a dash, and the number of the unit in a given rack. For example, the third unit (plugged into power socket numbered 3) in rack number one would have a unit ID number of "1-3", and the tenth unit in rack number three would have a unit number of "3-10". The number of each unit in a given rack is determined by the connector number on the PS151 power supply to which it is connected. Programming the rack number is easily accomplished by using the PS151 "RACK ID:" menu and setting the ID number with the PS151 front panel set up buttons. If no RS232 control is desired, this RACK ID number should be set to 0.

The PS151 will not respond to RS232 activity when its RACK ID is 0. Any number of PS151s can have a rack ID of 0.

When using RS232, assign a unique ID, between 1-1 and 7-10, for each SCT3860 to be controlled. Do not duplicate a number among any of the up to 70 transcoders that are to be connected through the same RS232 path to the PC.

This RS232 connection can be used by directly connecting to a PC serial port or remotely by interfacing through modems. If an auto answer modem is used at the headend, one can interface via telephone connection. The RS232 connection can be used to download new operating firmware to the SCT3860, if needed for use with future options.

For remote control operation, PS150/SCT1860 systems and/or PS100/SCT860 systems can be "daisy chained" with PS151/SCT2860s, SCT3860s, and SCT4860s, if desired, and can be controlled by the same PC using the Drake supplied software. A maximum of 64 SCT860s can be connected in this fashion in addition to the maximum of 70 SCT1860/2860/3860/4860s. Any combination of PS100s, PS150s, and PS151s can be connected in this manner as long as the maximum numbers indicated above are not exceeded.

14 *Additional Features (continued)*

Using the SCTs with the LBS2250 L Band Splitter: The LBS2250 unit should be mounted above the RMT150 with no extra space between the units. One or two LNB, L band inputs in the range of 950 to 2250 MHz may be connected to the inputs of the LBS. On the front panel side of the rack, the LNB inputs of each SCT should be connected with a short coaxial jumper cable to the output of the LBS that is directly above it. Then the power supply cable of any one of the transcoders should be 'looped through' the LBS2250.

When a LBS2250 has been connected as described in the previous paragraph, a new menu will appear in the SCT menu chain, between the MODE and CHANNEL menus (see chart). This is where the user may select the setting of the LNB input switch for that transcoder - either LNB input A or LNB input B may be selected.

An eight character name such as 'DISH 110' can be programmed for the A setting and the B setting so that the setting is more meaning if monitored remotely. This name may be programmed only via the RS232 remote program using version 2.7 or above CDROM.

Table 1: CATV

CABLE TV CHANNELS		CABLE TV CHANNELS		CABLE TV CHANNELS	
<i>Channel Number</i>	<i>Center of Channel</i>	<i>Channel Number</i>	<i>Center of Channel</i>	<i>Channel Number</i>	<i>Center of Channel</i>
EIANCTA Numeric Equivalent	Frequency in MHz	EIANCTA Numeric Equivalent	Frequency in MHz	EIANCTA Numeric Equivalent	Frequency in MHz
2	57	41	327	86	597
3	63	42	333	87	603
4	69	43	339	88	609
5	79	44	345	89	615
6	85	45	351	90	621
95	93	46	357	91	627
96	99	47	363	92	633
97	105	48	369	93	639
98	111	49	375	94	645
99	117	50	381	100	651
14	123	51	387	101	657
15	129	52	393	102	663
16	135	53	399	103	669
17	141	54	405	104	675
18	147	55	411	105	681
19	153	56	417	106	687
20	159	57	423	107	693
21	165	58	429	108	699
22	171	59	435	109	705
7	177	60	441	110	711
8	183	61	447	111	717
9	189	62	453	112	723
10	195	63	459	113	729
11	201	64	465	114	735
12	207	65	471	115	741
13	213	66	477	116	747
23	219	67	483	117	753
24	225	68	489	118	759
25	231	69	495	119	765
26	237	70	501	120	771
27	243	71	507	121	777
28	249	72	513	122	783
29	255	73	519	123	789
30	261	74	525	124	795
31	267	75	531	125	801
32	273	76	537	126	807
33	279	77	543	127	813
34	285	78	549	128	819
35	291	79	555	129	825
36	297	80	561	130	831
37	303	81	567	131	837
38	309	82	573	132	843
39	315	83	579	133	849
40	321	84	585	134	855
		85	591	135	861

16 BROADCAST TV CHANNEL FREQUENCIES

Table 2: BC TV

VHF BROADCAST CHANNELS	
<i>Channel Number</i>	<i>Center of Channel Frequency (MHz)</i>
2	57
3	63
4	69
5	79
6	85
7	177
8	183
9	189
10	195
11	201
12	207
13	213

UHF BROADCAST CHANNELS	
<i>Channel Number</i>	<i>Center of Channel Frequency (MHz)</i>
14	473
15	479
16	485
17	491
18	497
19	503
20	509
21	515
22	521
23	527
24	533
25	539
26	545
27	551
28	557
29	563
30	569
31	575
32	581
33	587
34	593
35	599
36	605
37	611
38	617
39	623
40	629
41	635
42	641
43	647
44	653
45	659
46	665
47	671
48	677
49	683
50	689
51	695
52	701
53	707
54	713
55	719
56	725
57	731
58	737
59	743
60	749
61	755
62	761
63	767
64	773
65	779
66	785
67	791
68	797
69	803

SERVICE INFORMATION

You may contact the R.L. DRAKE Service Department for additional information or assistance by calling +1 (937) 746-6990, Monday through Friday, between 8:00 A.M. and 4:00 P.M. Eastern Time, except on holidays.

You may also contact the R.L. DRAKE Service Department by E-mail at the following address: TechSupport@rldrake.com or by Telefax: +1 (937) 806-1576.

Should you want to return your unit for service, package the unit carefully using the original carton or other suitable container.

Write your return address clearly on the shipping carton and on an enclosed cover letter describing the service required, symptoms or problems. Also include your daytime telephone number and a copy of your proof of purchase.

The unit will be serviced under the terms of the R.L. DRAKE HOLDINGS LLC Limited Warranty and returned to you.

IF YOU NEED TO CALL FOR HELP

Call our Customer Service/Technical Support line at +1 (937) 746-6990 between 8:00 A.M. and 4:00 P.M. Eastern Time, weekdays. Please have the unit's serial number available. We will also need to know the specifics of any other equipment connected to the unit. When calling, please have the unit up and running, near the phone if possible.

Our technician(s) will likely ask certain questions to aid in diagnosis of the problem. Also, have a voltmeter handy, if possible. R.L. DRAKE also provides technical assistance by e-mail: TechSupport@rldrake.com or by Telefax: +1 (937) 806-1576.

Many of the products that are sent to us for repair are in perfect working order when we receive them. For these units, there is a standard checkout fee that you will be charged. Please perform whatever steps are applicable from the installation sections of the Owner's Manual before calling or writing—this could save unnecessary phone charges. Please do not return the unit without contacting R.L. DRAKE first: it is preferred to help troubleshoot the problem over the phone (or by mail) first, saving you both time and money.

Inside the carton, enclose a note with your name, address, daytime phone number, and a description of the unit's problem.

The unit must be sent to the following address:

Service Department
R.L. DRAKE
9900 Springboro Pike
Miamisburg, Ohio 45342 USA

Be sure to include your street address which will be needed for UPS return. UPS Surface (Brown Label) takes 7-10 days to reach us depending on your location, Blue takes 2-3 days.

Red is an overnight service. Send the unit in a way that it can be traced if we can't verify receipt of shipment. We suggest UPS or insured postal shipment.

If the unit is still under the original owner's warranty, R.L. DRAKE will pay the cost of the return shipment to you. Our return shipping policy is that we will return it UPS Brown if received Brown or by US Mail, it will be returned Blue if received Blue or Red—or it will be returned however you prefer if you furnish the return cost for the method you select.

18 *If You Need To Call For Help (continued)*

If the unit is out of warranty, use one of the following methods for return shipment:

- 1) You designate billing to American Express, VISA, MasterCard or Discover card;
- 2) You prepay the service charges with a personal check, or
- 3) You specify some other method of return and payment.

When calling, the technician can estimate the repair charges for you over the phone. This is another good reason to call before sending a unit in for repair.

Typically, equipment is repaired in five to ten working days after it arrives at R.L. DRAKE if we have all the facts. If we must call you, it may take longer. R.L. DRAKE is not responsible for damage caused by lightning, nonprofessional alterations, "acts of God", shipping damage, poor storage/handling, etc. R.L. DRAKE will make note of any shipping damage upon receipt.

You will need to send proof of purchase to receive warranty service. Typically, a copy of the invoice from an R.L. DRAKE dealer will suffice. The warranty is for the original owner only and is not transferable.

Three Year Limited Warranty

R.L. DRAKE HOLDINGS LLC warrants to the original purchaser this product shall be free from defects in material or workmanship for three (3) years from the date of original purchase.

During the warranty period R.L. DRAKE HOLDINGS LLC or an authorized Drake service facility will provide, free of charge, both parts and labor necessary to correct defects in material and workmanship. At its option, R.L. DRAKE HOLDINGS LLC may replace a defective unit.

To obtain such a warranty service, the original purchaser must:

1. Retain invoice or original proof of purchase to establish the start of the warranty period.
2. Notify R.L. DRAKE HOLDINGS LLC or the nearest authorized service facility, as soon as possible after discovery of a possible defect, of:
 - a) the model and serial number,
 - b) the identity of the seller and the approximate date of purchase; and
 - c) A detailed description of the problem, including details on the electrical connection to associated equipment and the list of such equipment.
3. Deliver the product to R.L. DRAKE HOLDINGS LLC or the nearest authorized service facility, or ship the same in its original container or equivalent, fully insured and shipping charges prepaid.

Correct maintenance, repair, and use are important to obtain proper performance from this product. Therefore carefully read the Instruction Manual. This warranty does not apply to any defect that R.L. DRAKE HOLDINGS LLC determines is due to:

1. Improper maintenance or repair, including the installation of parts or accessories that do not conform to the quality and specifications of the original parts.
2. Misuse, abuse, neglect or improper installation.
3. Accidental or intentional damage.

All implied warranties, if any, including warranties of merchantability and fitness for a particular purpose, terminate three (3) years from the date of the original purchase.

The foregoing constitutes R.L. DRAKE HOLDINGS LLC'S entire obligation with respect to this product, and the original purchaser shall have no other remedy and no claim for incidental or consequential damages, losses or expenses. Some states do not allow limitations on how long an implied warranty lasts or do not allow the exclusions or limitation of incidental or consequential damages, so the above limitation and exclusion may not apply to you.

This warranty gives you specific legal rights and you may also have other rights which vary from state to state. This warranty shall be construed under the laws of Ohio.

For Service, contact:

R.L. DRAKE HOLDINGS LLC
9900 Springboro Pike
Miamisburg, Ohio 45342 USA
Customer Service and Parts Telephone: +1 (937) 746-6990
Telefax: +1 (937) 806-1576
Web Site: <http://www.rldrake.com>

DRAKE®

R.L. Drake Holdings LLC

9900 Springboro Pike

Miamisburg, Ohio 45342 USA

Customer Service and Parts Telephone: +1 (937) 746-6990

Telefax: +1 (937) 806-1576

World Wide Web Site: <http://www.rldrake.com>