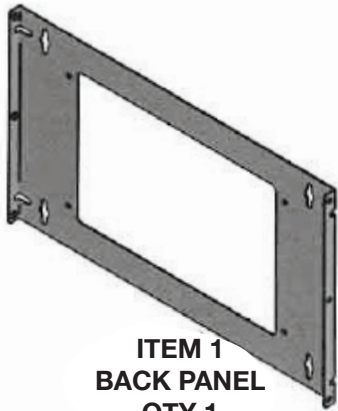
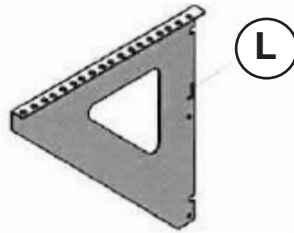




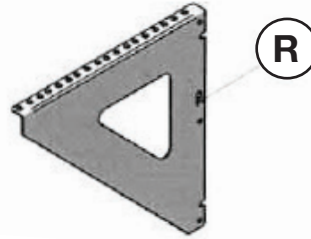
**PARTS LIST**



**ITEM 1**  
**BACK PANEL**  
QTY 1



**ITEM 2**  
**LEFT SIDE BRACKET**  
QTY 1



**ITEM 3**  
**RIGHT SIDE BRACKET**  
QTY 1



**ITEM 4**  
**PHILLIPS HEAD SCREW**  
QTY 6

