



MM806
NTSC Modulation Monitor

Instruction Manual

DRAKE® is a registered trademark of the R.L. Drake Company

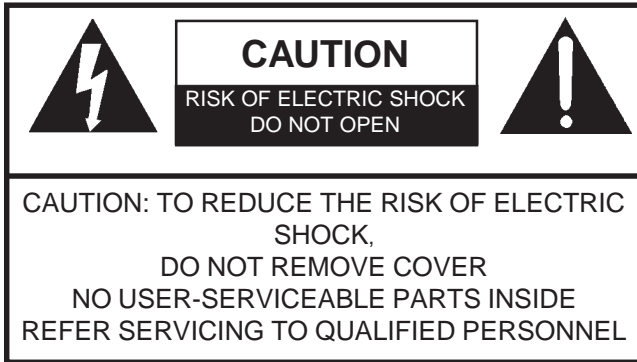
© Copyright 2002 R.L. Drake Company

P/N:3852398B-3-200

Printed in the U.S.A.

2 Caution Statements

WARNING: TO PREVENT FIRE OR ELECTRICAL SHOCK DO NOT EXPOSE TO RAIN OR MOISTURE



A product and cart combination should be moved with care. Quick stops, excessive force and uneven surfaces may cause the product and cart combination to overturn.



The lightning flash with arrow head symbol, within an equilateral triangle, is intended to alert the user to the presence of uninsulated "dangerous voltage" within the product's enclosure that may be of sufficient magnitude to constitute a risk of electric shock to persons.



The exclamation point within an equilateral triangle is intended to alert the user to the presence of important operating and maintenance (servicing) instructions in the literature accompanying the product.

WARNING: TO REDUCE THE RISK OF FIRE OR ELECTRIC SHOCK, DO NOT EXPOSE THIS PRODUCT TO RAIN OR MOISTURE.
DO NOT OPEN THE CABINET, REFER SERVICING TO QUALIFIED PERSONNEL ONLY.

CAUTION: TO PREVENT ELECTRIC SHOCK, DO NOT USE THIS (POLARIZED) PLUG WITH AN EXTENSION CORD RECEPTACLE OR OTHER OUTLET UNLESS THE BLADES CAN BE FULLY INSERTED TO PREVENT BLADE EXPOSURE.

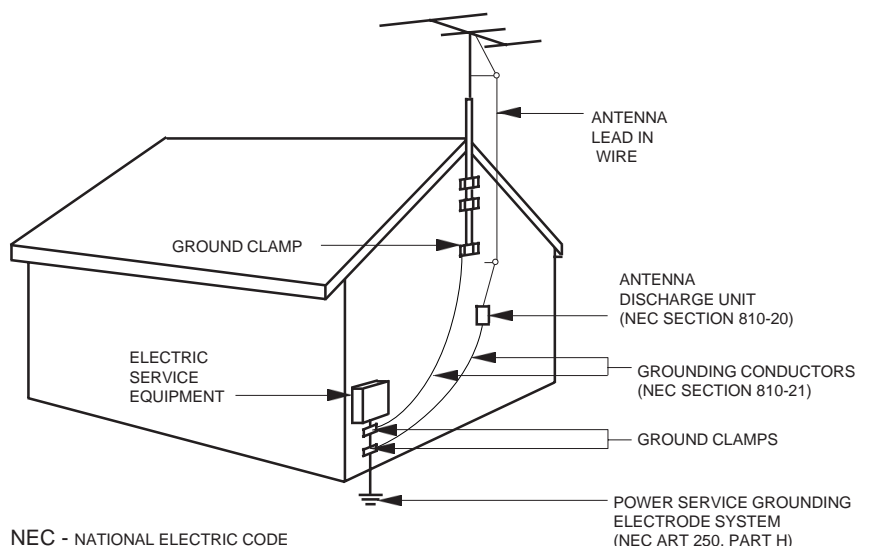
ATTENTION: POUR PREVENIR LES CHOCS ELECTRIQUES, NE PAS UTILISER CETTE FICHE POLARISEE AVEC UN PROLONGATEUR, UNE PRISE DE COURANT OU UNE AUTRE SORTIE DE COURANT, SAUF SI LES LAMES PEUVENT ETRE INSEREES A FOND SANS EN LAISSER AUCUNE PARTIE A DECOUVERT.

- 1. Read Instructions**—All the safety and operating instructions should be read before the product is operated.
- 2. Retain Instructions**—The safety and operating instructions should be retained for future reference.
- 3. Heed Warnings**—All warnings on the product and in the operating instructions should be adhered to.
- 4. Follow Instructions**—All operating and use instructions should be followed.
- 5. Cleaning**—Unplug this product from the wall outlet before cleaning. Do not use liquid cleaners or aerosol cleansers. Use a damp cloth for cleaning.
- 6. Attachments**—Do not use attachments that are not recommended by the product manufacturer as they may cause hazards.
- 7. Water and Moisture**—Do not use this product near water—for example, near a bathtub, wash bowl, kitchen sink or laundry tub; in a wet basement; or near a swimming pool; and the like.
- 8. Accessories**—Do not place this product on an unstable cart, stand, tripod, bracket, or table. The product may fall, causing serious injury to a child or adult, and serious damage to the product. Use only with a cart, stand, tripod, bracket, or table recommended by the manufacturer, or sold with the product. Any mounting of the product should follow the manufacturer's instructions, and should use a mounting accessory recommended by the manufacturer.
- 9.** A product and cart combination should be moved with care. Quick stops, excessive force, and uneven surfaces may cause the product and cart combination to overturn.
- 10. Ventilation**—Slots and openings in the cabinet are provided for ventilation and to ensure reliable operation of the product and to protect it from overheating, and these openings must not be blocked or covered. The openings should never be blocked by placing the product on a bed, sofa, rug, or similar surface. This product should not be placed in a built-in installation such as bookcase or rack unless proper ventilation is provided or the manufacturer's instructions have been adhered to.
- 11. Power Sources**—This product should be operated only from the type of power source indicated on the marking label. If you are not sure of the type of power supplied to your home, consult your product dealer or local power company. For products intended to operate from battery power, or other sources, refer to the operating instructions.
- 12. Grounding or Polarization**—This product may be equipped with a polarized alternating-current line plug (a plug having one blade wider than the other). This plug will fit into the power outlet only one way. This is a safety feature. If you are unable to insert the plug fully into the outlet, try reversing the plug. If the plug should still fail to fit, contact your electrician to replace your obsolete outlet. Do not defeat the safety purpose of the polarized plug. Alternate Warnings—If this product is equipped with a three-wire grounding-type plug, a plug having a third (grounding) pin, the plug will only fit into a grounding-type power outlet. This is a safety feature. If you are unable to insert the plug into the outlet, contact your electrician to replace your obsolete outlet. Do not defeat the safety purpose of the grounding-type plug.
 - 12 a. Mise à la terre ou Polarisation**—Cet appareil est équipé avec un cordon d'alimentation à trois fils. Il est à brancher sur une prise ayant un connecteur à la terre. Assurez-vous que la connection à la terre ne manque pas.
- 13. Power-Cord Protection**—Power-supply cords should be routed so that they are not likely to be walked on or pinched by items placed upon or against them, paying particular attention to cords at plugs, convenience receptacles, and the point where they exit from the product.

- 14. Outdoor Antenna Grounding**—If an outside antenna or cable system is connected to the product, be sure the antenna or cable system is grounded so as to provide some protection against voltage surges and built-up static charges. Article 810 of the National Electrical Code, ANSI/NFPA 70, provides information with regard to proper grounding of the mast and supporting structure, grounding of the lead-in wire to an antenna discharge unit, size of grounding conductors, location of antenna-discharge unit, connection to grounding electrodes, and requirements for the grounding electrode. See Figure A.
- 15. Lightning**—For added protection for this product during a lightning storm, or when it is left unattended and unused for long periods of time, unplug it from the wall outlet and disconnect the antenna or cable system. This will prevent damage to the product due to lightning and power-line surges.
- 16. Power Lines**—An outside antenna system should not be located in the vicinity of overhead power lines, other electric light or power circuits, where it can fall into such power lines or circuits. When installing an outside antenna system, extreme care should be taken to keep from touching such power lines or circuits as contact with them may be fatal.
- 17. Overloading**—Do not overload wall outlets, extension cords, or integral convenience receptacles as this can result in a risk of fire or electric shock.
- 18. Object and Liquid Entry**—Never push objects of any kind into this product through openings as they may touch dangerous voltage points or short-out parts that could result in a fire or electric shock. Never spill liquid of any kind on the product.
- 19. Servicing**—Do not attempt to service this product yourself as opening or removing covers may expose you to dangerous voltage or other hazards. Refer all servicing to qualified service personnel.
- 20. Damage Requiring Service**—Unplug this product from the wall outlet and refer servicing to qualified service personnel under the following conditions:
 - a. When the power-supply cord or plug is damaged,
 - b. If liquid has been spilled, or objects have fallen into the product,
 - c. If the product has been exposed to rain or water,
 - d. If the product does not operate normally by following the operating instructions. Adjust only those controls that are covered by the operating instructions as an improper adjustment of other controls may result in damage and will often require extensive work by a qualified technician to restore the product to its normal operation,
 - e. If the product has been dropped or damaged in any way, and
 - f. When the product exhibits a distinct change in performance—this indicates a need for service.
- 21. Replacement Parts**—When replacement parts are required, be sure the service technician has used replacement parts specified by the manufacturer or have the same characteristics as the original part. Unauthorized substitutes may result in fire, electric shock or other hazards.
- 22. Safety Check**—Upon completion of any service or repairs to this product, ask the service technician to perform safety checks to determine that the product is in proper operating condition.
- 23. Wall or Ceiling Mounting**—The product should be mounted to a wall or ceiling only as recommended by the manufacturer.
- 24. Heat**—The product should be situated away from heat sources such as radiators, heat registers, stoves, or other products (including amplifiers) that produce heat.

NOTE TO CATV SYSTEM INSTALLERS:
 THIS REMINDER IS PROVIDED TO CALL THE CATV SYSTEM INSTALLER'S ATTENTION TO ARTICLE 820 - 40 OF THE NEC THAT PROVIDES GUIDELINES FOR PROPER GROUNDING AND, IN PARTICULAR, SPECIFIES THAT THE CABLE GROUND SHALL BE CONNECTED TO THE GROUNDING SYSTEM OF THE BUILDING, AS CLOSE TO THE POINT OF CABLE ENTRY AS PRACTICAL.

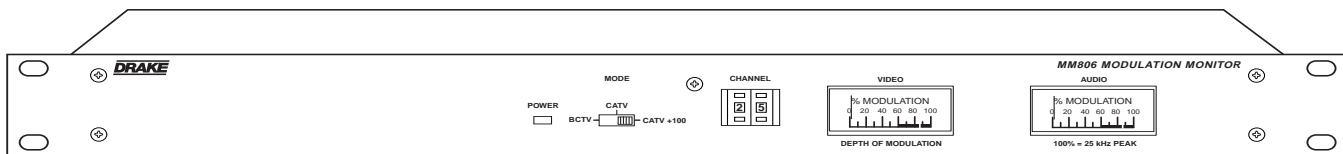
Figure A
 Example of antenna grounding as per National Electrical Code, ANSI/NFPA 70



NEC - NATIONAL ELECTRIC CODE

4 Table of Contents / Description

- 2 Caution Statements
- 3 Important Safety Instructions
- 4 Table of Contents / Description
- 5 Specifications
- 6 Front Panel Controls and Indicators
- 7 Rear Panel Controls and Connections
- 8 Installation
- 9 Reference Chart of Off-Air and CATV Channels
- 10 Service / If You Need To Call For Help
- 11 Warranty



The R.L. Drake MM806 is a professional quality agile television demodulator with video and audio metering that demodulates any VHF, UHF, or CATV channel (54 - 806 MHz).

One MM806 may be added to a headend installation with the combined headend output sampled with a directional coupler and the sampled output fed to the MM806 RF input. Any NTSC channel from the headend can be selected and monitored on the MM806. This allows easy setup of video and audio levels.

The desired off-air VHF or UHF television channel from 2 through 69 or CATV channel from 2 through 125 is selected by a front panel pushwheel switch and associated slide switch. The MM806 provides a standard negative sync video output at a nominal level of 1 V_{p-p}.

Also provided is an audio output signal. Two modulation meters simultaneously provide readout of video modulation percentage and audio deviation percentage of 25 kHz peak deviation.

As previously described, channel selection switches are located on the front panel. The RF Input is through an "F" type connector located on the rear panel. The rear panel Video Output is also an "F" type connector. Unbalanced Audio Output is through a rear panel RCA type phono connector. The unit is powered through the attached AC line cord by a nominal 115 VAC, 60 Hz source of power.

RF

Input Frequency: 54 - 806 MHz,
Off-Air: Channels 2 - 69.
CATV: Channels 2 - 125.

Input Level: -10 to +35 dBmV.

Noise Figure: VHF: 8 dB.
UHF: 10 dB.

Image Rejection: VHF: 65 dB.
UHF: 50 dB.

Input Impedance: 75 Ohms.

VIDEO

Output Level: 1.0 Vp-p nominal, NTSC standard negative sync.

Output Impedance: 75 Ohms.

Differential Gain: Less than 5%.

Differential Phase: Less than 5 degrees.

L/C Delay: 125 nSec nominal.

AUDIO

Output Level: 300 mV rms nominal, unbalanced.

Output Impedance: Less than 500 Ohms.

METERING

Video: 0% to 100% AM modulation. 87.5% is set point.

Audio: 0% to 100% of 25 kHz peak FM deviation.

GENERAL

AC Power Input: 115 VAC \pm 10%, 60 Hz, 10 Watts.

Operating Temperature: 0° C to +50° C, ambient.

Dimensions: 19" W x 1.75" H x 4" D.

Weight: 4.3 lbs (2.0 Kg).

Connectors: RF Input and Video Output are type F.
Unbalanced Audio Output is RCA phono.

6 Front Panel Controls and Indicators

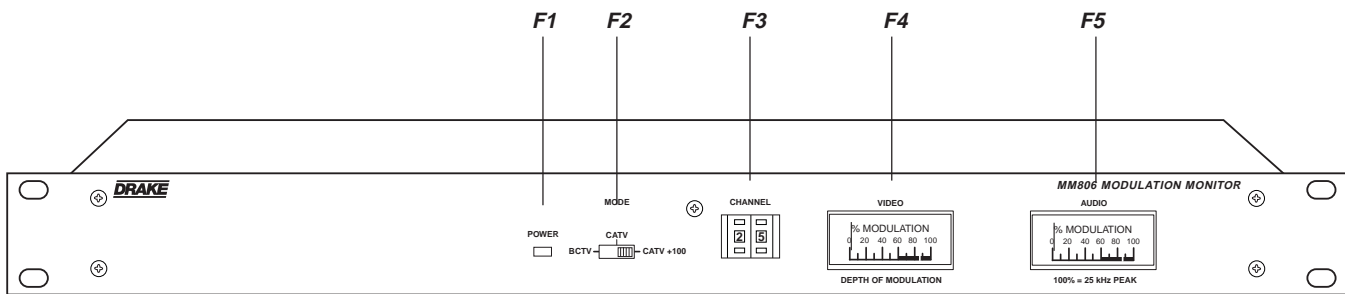


Figure 1

F1 - POWER Indicator

Lights when the unit is connected to the required source of AC power.

F2 - Mode Switch

Sets the type of channel, Off-Air or CATV. The third position sets a leading "1" for CATV channels from 100 through 125. See also Item F3 for setting the channel number.

F3 - Channel Number Switch

Sets the received channel number for off-air TV channels 02 through 69 or for CATV channels 02 through 125. See also Item F2 which sets the type of channel (Off-Air or CATV) and sets the leading "1" for CATV channels 100 through 125.

For example:

Setting for CATV channel "25"-



For example:

Setting for CATV channel "125"-



F4 - VIDEO Modulation

This meter indicates a percentage of video modulation for the selected channel. The Desired level is 87.5%. Adjust the video gain of the modulator being monitored to obtain a reading of 87.5%.

F5 - AUDIO Modulation

This meter indicates a percentage of FM deviation of the monitored channel. 100% is equal to 25 kHz peak deviation, the NTSC standard in the U.S.A.

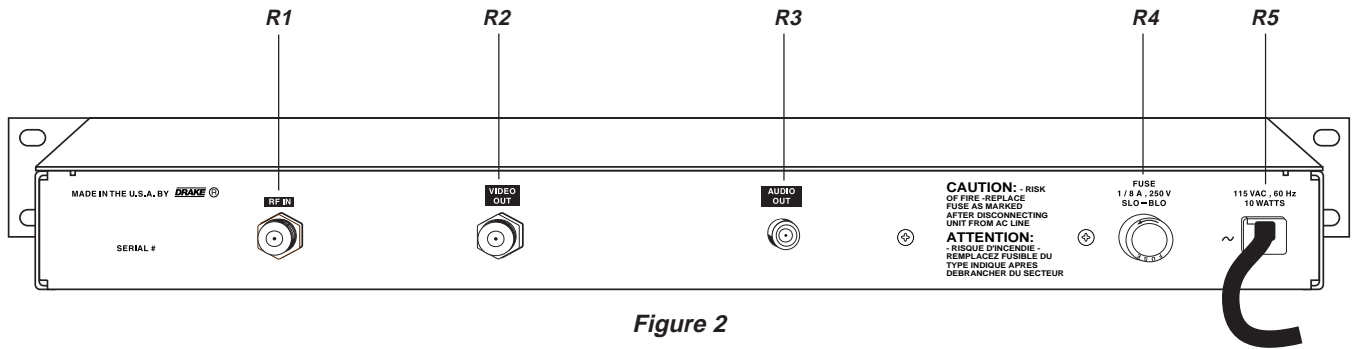


Figure 2

R1 - RF INPUT Connector

This is the 75 Ohm input to the demodulator circuits from an off-air television receiving antenna or from a CATV cable input.

R2 - VIDEO OUTPUT Connector

This is the 75 Ohm baseband video output at a nominal 1.0 Vp-p level which is adjustable with the front panel VIDEO LEVEL control over a range of approximately 0.7 to 1.5 Vp-p.

R3 - AUDIO OUTPUT Connector

The RCA phono connector AUDIO OUT, provides an unbalanced audio output.

R4 - FUSE

Always replace this fuse with one of the same type and rating: 1/8 Amp, 250 V, SLO-BLO®, 3AG type.

R5 - LINE CORD

This is a three-wire power cable. When the cable is connected to a properly wired AC power line outlet, this cable grounds the instrument cabinet. Connect to a nominal 115 VAC $\pm 10\%$, 60 Hz source. Do not defeat the safety purpose of the attached line cord plug.

8 Installation

TYPICAL HEADEND MONITOR APPLICATION

Choose a Tap value so the video carrier level to the MM806 is in the 0 dBmV to +15 dBmV range.

RACK MOUNTING

Adequate ventilation is very important in multichannel installations. Units should be spaced apart by at least one panel height wherever possible, and some air movement is advisable in enclosed rack cabinets. Excessive heat will shorten component life and system performance will be degraded without proper cooling.

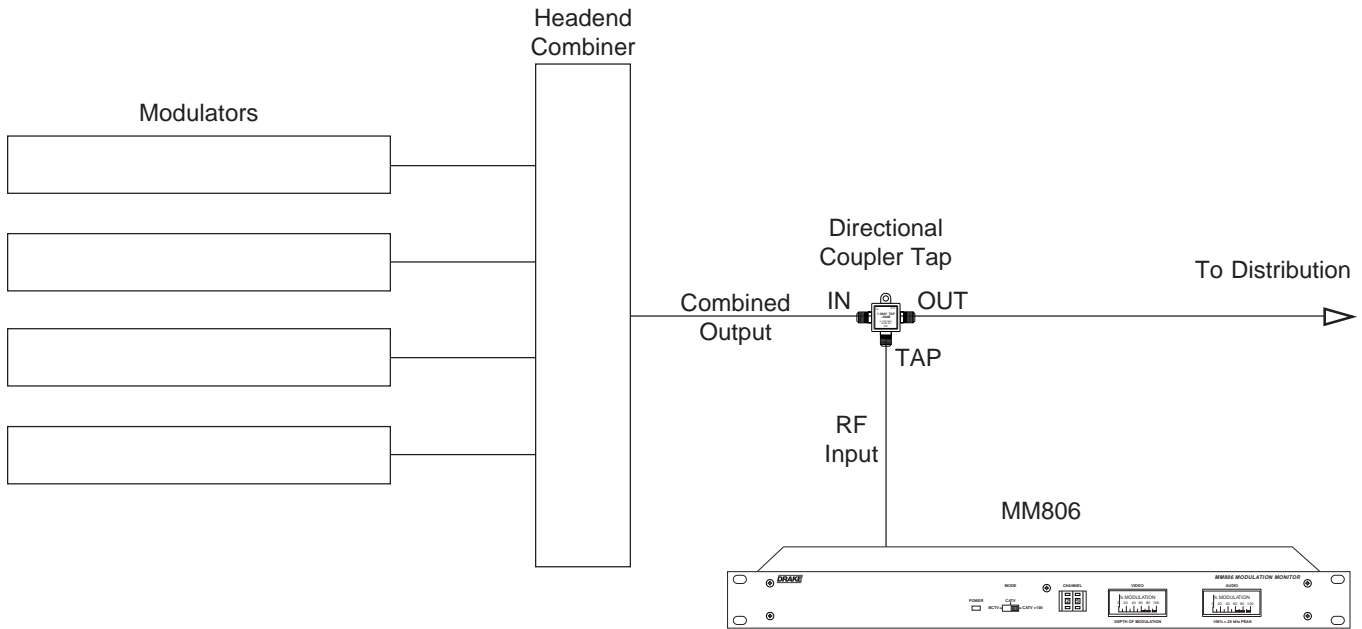


Figure 3 - Installation using a Directional Coupler

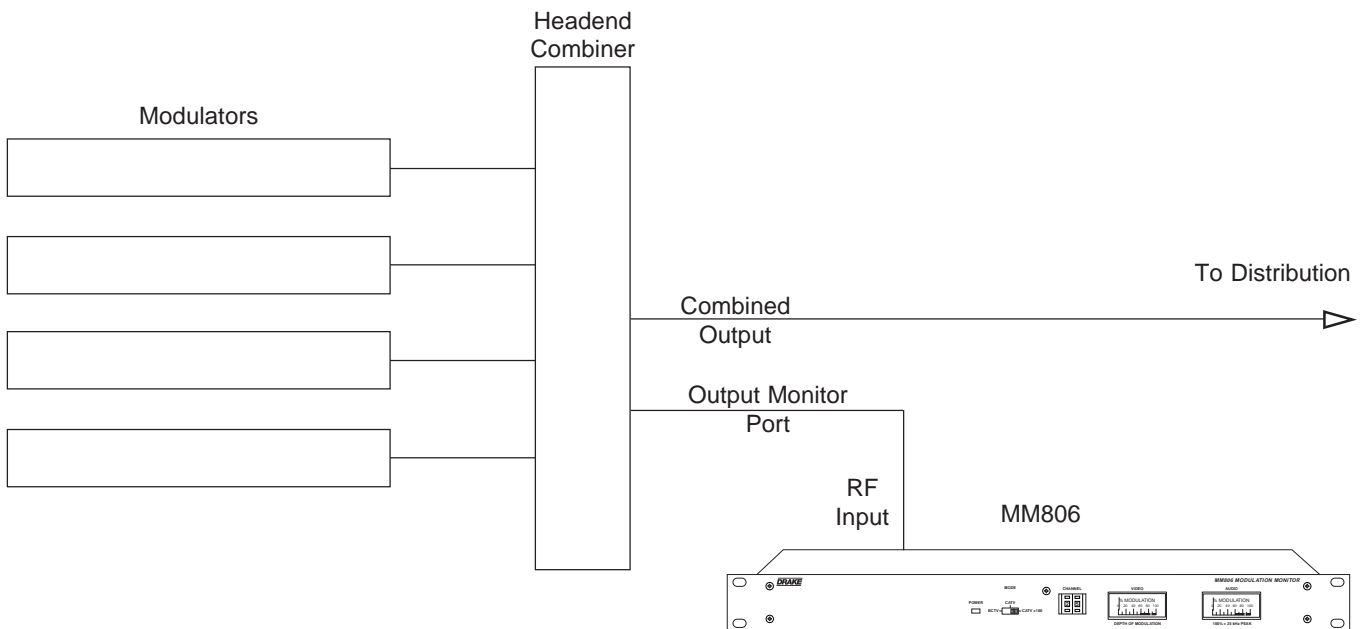


Figure 4 - Installation using an Output Monitor Port

OFF-AIR

VHF BROADCAST CHANNELS	
Channel Number	Visual Carrier Frequency (MHz)
2	55.25
3	61.25
4	67.25
5	77.25
6	83.25
7	175.25
8	181.25
9	187.25
10	193.25
11	199.25
12	205.25
13	211.25

OFF-AIR

UHF BROADCAST CHANNELS	
Channel Number	Visual Carrier Frequency (MHz)
14	471.25
15	477.25
16	483.24
17	489.25
18	495.25
19	501.25
20	507.25
21	513.25
22	519.25
23	525.25
24	531.25
25	537.25
26	543.25
27	549.25
28	555.25
29	561.25
30	567.25
31	573.25
32	579.25
33	585.25
34	591.25
35	597.25
36	603.25
37	609.25
38	615.25
39	621.25
40	627.25
41	633.25
42	639.25
43	645.25
44	651.25
45	657.25
46	663.25
47	669.25
48	675.25
49	681.25
50	687.25
51	693.25
52	699.25
53	705.25
54	711.25
55	717.25
56	723.25
57	729.25
58	735.25
59	741.25
60	747.25
61	753.25
62	759.25
63	765.25
64	771.25
65	777.25
66	783.25
67	789.25
68	795.25
69	801.25

CATV

CABLE TV CHANNELS			
Channel Designation			Visual Carrier Frequency (MHz)
B A N D	Standard Alphanumeric Identification	EIA/NCTA Numeric Equivalent	SCA
L O W	2	2	55.25
	3	3	61.25
	4	4	67.25
	5	5	77.25
	6	6	83.25
	M I D	A-5	95
A-4		96	97.25
A-3		97	103.25
A-2		98	109.25
A-1		99	115.25
A		14	121.25
B		15	127.25
C		16	133.25
D		17	139.25
E		18	145.25
F		19	151.25
G		20	157.25
H I G H	H	21	163.25
	I	22	169.25
	7	7	175.25
	8	8	181.25
	9	9	187.25
	10	10	193.25
S U P E R	11	11	199.25
	12	12	205.25
	13	13	211.25
	J	23	217.25
	K	24	223.25
	L	25	229.25
	M	26	235.25
	N	27	241.25
	O	28	247.25
	P	29	253.25
	Q	30	259.25
	R	31	265.25
H Y P E R	S	32	271.25
	T	33	277.25
	U	34	283.25
	V	35	289.25
	W	36	295.25
	AA	37	301.25
	BB	38	307.25
	CC	39	313.25
	DD	40	319.25
	EE	41	325.25
	FF	42	331.25
	GG	43	337.25
	HH	44	343.25
	II	45	349.25
	JJ	46	355.25
	KK	47	361.25
	LL	48	367.25
	MM	49	373.25
H Y P E R	NN	50	379.25
	OO	51	385.25
	PP	52	391.25
	QQ	53	397.25
	RR	54	403.25
	SS	55	409.25
	TT	56	415.25
	UU	57	421.25
	VV	58	427.25
	WW	59	433.25
	XX	60	439.25
	YY	61	445.25
ZZ	62	451.25	

CATV

CABLE TV CHANNELS			
Channel Designation			Visual Carrier Frequency (MHz)
B A N D	Standard Alphanumeric Identification	EIA/NCTA Numeric Equivalent	SCA
H Y P E R	AAA	63	457.25
	BBB	64	463.25
	CCC	65	469.25
	DDD	66	475.25
	EEE	67	481.25
	FFF	68	487.25
	GGG	69	493.25
	HHH	70	499.25
	III	71	505.25
	JJJ	72	511.25
	KKK	73	517.25
	LLL	74	523.25
	MMM	75	529.25
	NNN	76	535.25
	OOO	77	541.25
	PPP	78	547.25
	QQQ	79	553.25
	RRR	80	559.25
	SSS	81	565.25
	TTT	82	571.25
	UUU	83	577.25
	VVV	84	583.25
	WWW	85	589.25
	XXX	86	595.25
		87	601.25
	88	607.25	
	89	613.25	
	90	619.25	
	91	625.25	
	92	631.25	
	93	637.25	
	94	643.25	
	100	649.25	
	101	655.25	
	102	661.25	
	103	667.25	
	104	673.25	
	105	679.25	
	106	685.25	
	107	691.25	
	108	697.25	
	109	703.25	
	110	709.25	
	111	715.25	
	112	721.25	
	113	727.25	
	114	733.25	
	115	739.25	
	116	745.25	
	117	751.25	
	118	757.25	
	119	763.25	
	120	769.25	
	121	775.25	
	122	781.25	
	123	787.25	
	124	793.25	
	125	799.25	

SERVICE INFORMATION

You may contact the R.L. DRAKE Service Department for additional information or assistance by calling +1 (937) 746-6990, Monday through Friday, between 8:00 A.M. and 4:00 P.M. Eastern Time, except on holidays.

You may also contact the R.L. DRAKE Service Department by E-mail at the following address:
service@rldrake.com
or by Telefax:
+1 (937) 743-4576.

Should you want to return your unit for service, package the unit carefully using the original carton or other suitable container.

Write your return address clearly on the shipping carton and on an enclosed cover letter describing the service required, symptoms or problems. Also include your daytime telephone number and a copy of your proof of purchase.

The unit will be serviced under the terms of the R.L. DRAKE COMPANY Limited Warranty and returned to you.

IF YOU NEED TO CALL FOR HELP

Call our Customer Service/Technical Support line at +1 (937) 746-6990 between 8:00 A.M. and 4:00 P.M. Eastern Time, weekdays. Please have the unit's serial number available. We will also need to know the specifics of any other equipment connected to the unit. When calling, please have the unit up and running, near the phone if possible. Our technician(s) will likely ask certain questions to aid in diagnosis of the problem. Also, have a voltmeter handy, if possible.

R.L. DRAKE also provides technical assistance by e-mail: service@rldrake.com
or by Telefax: +1 (937) 743-4576.

Many of the products that are sent to us for repair are in perfect working order when we receive them. For these units, there is a standard checkout fee that you will be charged. Please perform whatever steps are applicable from the installation sections of the Owner's Manual before calling or writing—this could save unnecessary phone charges. Please do not return the unit without contacting R.L. DRAKE first: it is preferred to help troubleshoot the problem over the phone (or by mail) first, saving you both time and money.

Inside the carton, enclose a note with your name, address, daytime phone number, and a description of the unit's problem.
The unit must be sent to the following address:

**Service Department
R.L. DRAKE COMPANY
230 Industrial Drive
Franklin, Ohio 45005 U.S.A.**

Be sure to include your street address which will be needed for UPS return. UPS Surface (Brown Label) takes 7-10 days to reach us depending on your location, Blue takes 2-3 days.

Red is an overnight service. Send the unit in a way that it can be traced if we can't verify receipt of shipment. We suggest UPS or insured postal shipment.

If the unit is still under the original owner's warranty, R.L. DRAKE will pay the cost of the return shipment to you. Our return shipping policy is that we will return it UPS Brown if received Brown or by US Mail, it will be returned Blue if received Blue or Red—or it will be returned however you prefer if you furnish the return cost for the method you select.

If the unit is out of warranty, it will be returned by UPS Brown label COD (UPS does not accept cash/currency) unless:

- 1) It was received UPS Blue/Red, in which case it will be returned UPS Blue/Red COD;
- 2) You designate billing to American ExPress, VISA, MasterCard or Discover card;
- 3) You prepay the service charges with a personal check, or
- 4) You specify some other method of return.

When calling, the technician can estimate the repair charges for you over the phone. This is another good reason to call before sending a unit in for repair. Typically, equipment is repaired in five to ten working days after it arrives at R.L. DRAKE if we have all the facts. If we must call you, it may take longer. R.L. DRAKE is not responsible for damage caused by lightning, nonprofessional alterations, "acts of God", shipping damage, poor storage/handling, etc. R.L. DRAKE will make note of any shipping damage upon receipt. Should your warranty card not be on file at R.L. DRAKE, you will need to send proof of purchase to receive warranty service. Typically, a copy of the invoice from an R.L. DRAKE dealer will suffice. The warranty is for the original owner only and is not transferable.

Three Year Limited Warranty

R.L.DRAKE COMPANY warrants to the original purchaser this product shall be free from defects in material or workmanship for three (3) years from the date of original purchase.

During the warranty period the R.L.DRAKE COMPANY or an authorized Drake service facility will provide, free of charge, both parts and labor necessary to correct defects in material and workmanship. At its option, R. L. DRAKE Company may replace a defective unit.

To obtain such a warranty service, the original purchaser must:

- (1) Complete and send in the Warranty Registration Card within 10 days of purchase.
- (2) Notify the R.L.DRAKE COMPANY or the nearest authorized service facility, as soon as possible after discovery of a possible defect, of:
 - (a) the model and serial number,
 - (b) the identity of the seller and the approximate date of purchase; and
 - (c) A detailed description of the problem, including details on the electrical connection to associated equipment and the list of such equipment.
- (3) Deliver the product to the R.L.DRAKE COMPANY or the nearest authorized service facility, or ship the same in its original container or equivalent, fully insured and shipping charges prepaid.

Correct maintenance, repair, and use are important to obtain proper performance from this product. Therefore carefully read the Instruction Manual. This warranty does not apply to any defect that R.L.DRAKE COMPANY determines is due to:

- (1) Improper maintenance or repair, including the installation of parts or accessories that do not conform to the quality and specifications of the original parts.
- (2) Misuse, abuse, neglect or improper installation.
- (3) Accidental or intentional damage.

All implied warranties, if any, including warranties of merchantability and fitness for a particular purpose, terminate three (3) years from the date of the original purchase.

The foregoing constitutes R.L.DRAKE COMPANY'S entire obligation with respect to this product, and the original purchaser shall have no other remedy and no claim for incidental or consequential damages, losses or expenses. Some states do not allow limitations on how long an implied warranty lasts or do not allow the exclusions or limitation of incidental or consequential damages, so the above limitation and exclusion may not apply to you.

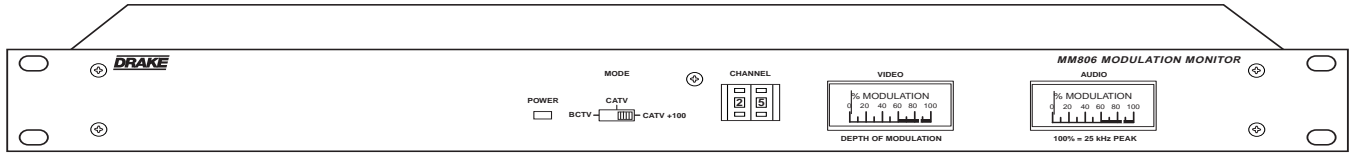
This warranty gives you specific legal rights and you may also have other rights which vary from state to state. This warranty shall be construed under the laws of Ohio.

For Service, contact:

R.L. DRAKE COMPANY
230 Industrial Drive
Franklin, Ohio 45005 U.S.A.
Customer Service and Parts Telephone: +1 (937) 746-6990
Telefax: +1 (937) 743-4576
World Wide Web Site: <http://www.rldrake.com>



R.L. Drake Company
230 Industrial Drive
Franklin, Ohio 45005 U.S.A.
Customer Service and Parts Telephone: +1 (937) 746-6990
Telefax: +1 (937) 743-4576
World Wide Web Site: <http://www.rldrake.com>

For: Direct A/V Inc.**RF**

Input Frequency: 54 - 806 MHz,
Off-Air: Channels 2 - 69.
CATV: Channels 2 - 125.
Input Level: -10 to +35 dBmV.
Noise Figure: VHF: 8 dB; UHF: 10 dB.
Image Rejection: VHF: 65 dB; UHF: 50 dB.
Input Impedance: 75 Ohms.

VIDEO

Output Level: 1.0 Vp-p nominal, NTSC standard negative sync.
Output Impedance: 75 Ohms.
Differential Gain: Less than 5%.
Differential Phase: Less than 5 degrees.
L/C Delay: 125 nSec nominal.

AUDIO

Output Level: 300 mV rms nominal, unbalanced.
Output Impedance: Less than 500 Ohms.

METERING

Video: 0% to 100% AM modulation. 87.5% is set point.
Audio: 0% to 100% of 25 kHz peak FM deviation.

GENERAL

AC Power Input: 115 VAC \pm 10%, 60 Hz, 10 Watts.
Operating Temperature: 0° C to +50° C, ambient.
Dimensions: 19" W x 1.75" H x 4" D.
Weight: 4.3 lbs (2.0 Kg).
Connectors: RF Input and Video Output are type F. Balanced
Audio Unbalanced Audio Output is RCA phono.

Specifications subject to change without notice or obligation.

R.L. Drake Company

230 Industrial Drive
Franklin, Ohio 45005 U.S.A.

Sales: +1 (937) 746-4556

Telefax: +1 (937) 743-4576

World Wide Web Site: <http://www.rldrake.com>