

The DRMM12 Rack Mount supports a single Drake Power Supply and up to (8) modular Drake digital headend units to configure a professional quality, modular, headend system, which optimizes rack space. The DRMM12 mounts in a standard 19" wide equipment rack and requires 3 1/2" of vertical rack space. After installation of the PS8 Power Supply, there are 12 single width slots available. Up to 8 separate modules in combinations of 1, 2, or 3 units wide can be installed into the rack. The PS8 will power up to 8 modules.

Identify the following items shipped with this kit of rack mount assembly and cable assembly:

- (1) DRMM12 Rack Mount chassis.
- (1) Wire, ground bonding chassis to power supply (P/N: 2700017).
- (2) End Caps, Gray (P/N: 4801560).

Installation:

Adequate ventilation is very important in multi-channel installations. Rack units should be spaced apart by at least 1 3/4" wherever possible, and some air movement is advisable in enclosed rack cabinets. Excessive heat will shorten the life of components and individual module(s). Power supply performance will also be degraded without proper cooling.

If desired, the supplied gray end caps can be installed over the mounting ears of the DRMM12 and secured by the rack support screws.

Locate the Power Supply (sold separately). Prior to sliding the power supply into the right-hand side top and bottom slide rails of the DRMM12, loosen the #6-32 screw located on the top surface of the power supply. Position the free end of the ground wire lug (other end of wire fastened to DRMM12) under the #6-32 screw, and tighten the screw to secure the ground wire. Slide the power supply into the DRMM12.

If necessary, use the following steps to remove the Drake Power Supply from the rack:

- 1) Remove the module immediately adjacent to the Drake Power Supply. Be aware that the module power cable will become disconnected from the rear when the module is removed.
- 2) Now grasp the edge of the Drake Power Supply front panel and remove the unit from rack.
- 3) Reconnect the module power cable then replace the adjacent module as required.

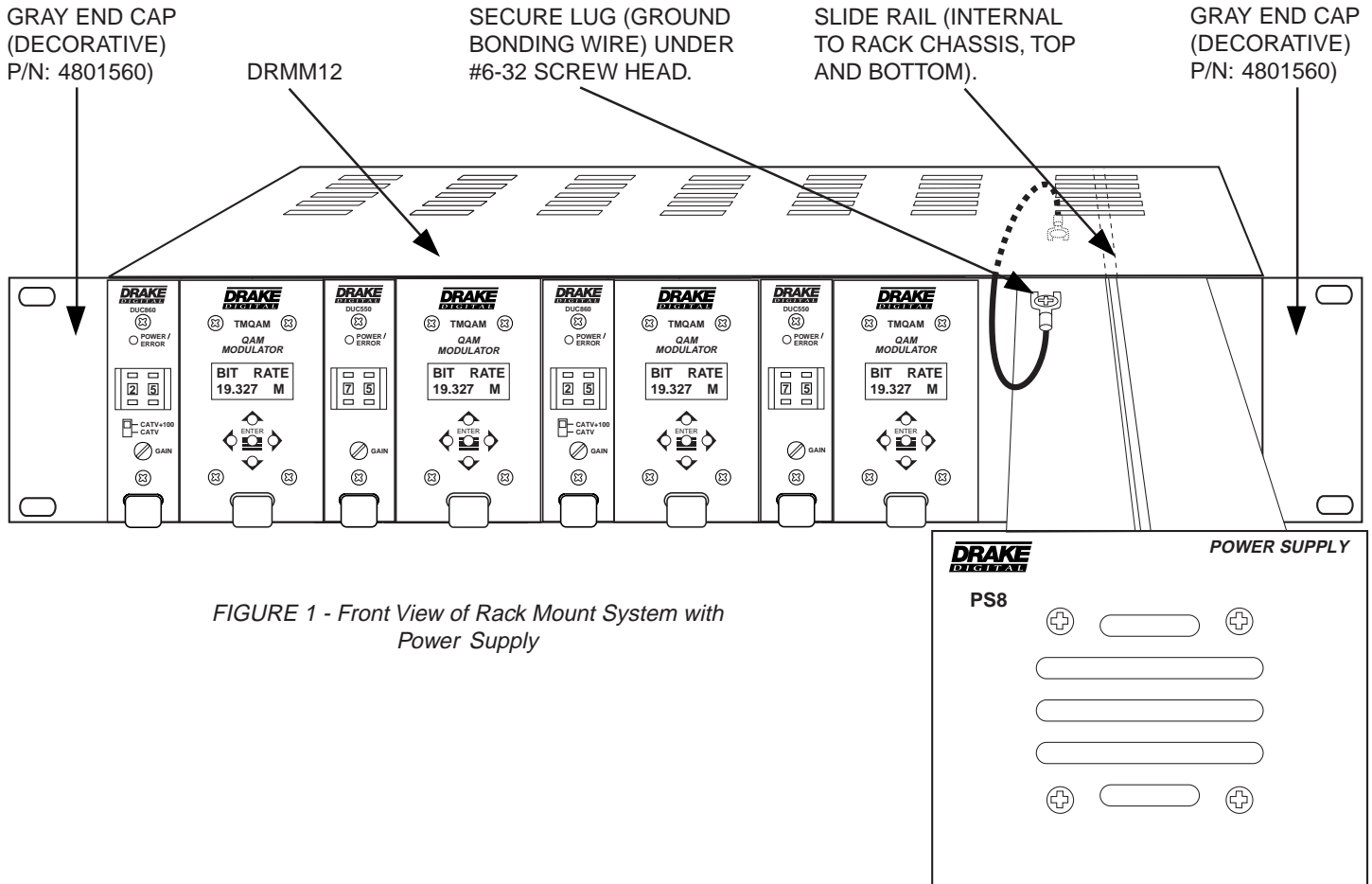


FIGURE 1 - Front View of Rack Mount System with Power Supply

First, install the Drake PS8 Power Supply into the DRMM12. Next, slide individual modules (maximum of 8 units) into the desired rack locations. Connect the DC power cable, supplied with each module, between each module and the PS8 Power Supply.

Avoid stretching the cables or routing them where damage to the cable is likely. After the desired modules are installed into the DRMM12 and the DRMM12 is secured in the rack, connect the AC power cord of the power supply to a source of AC power.

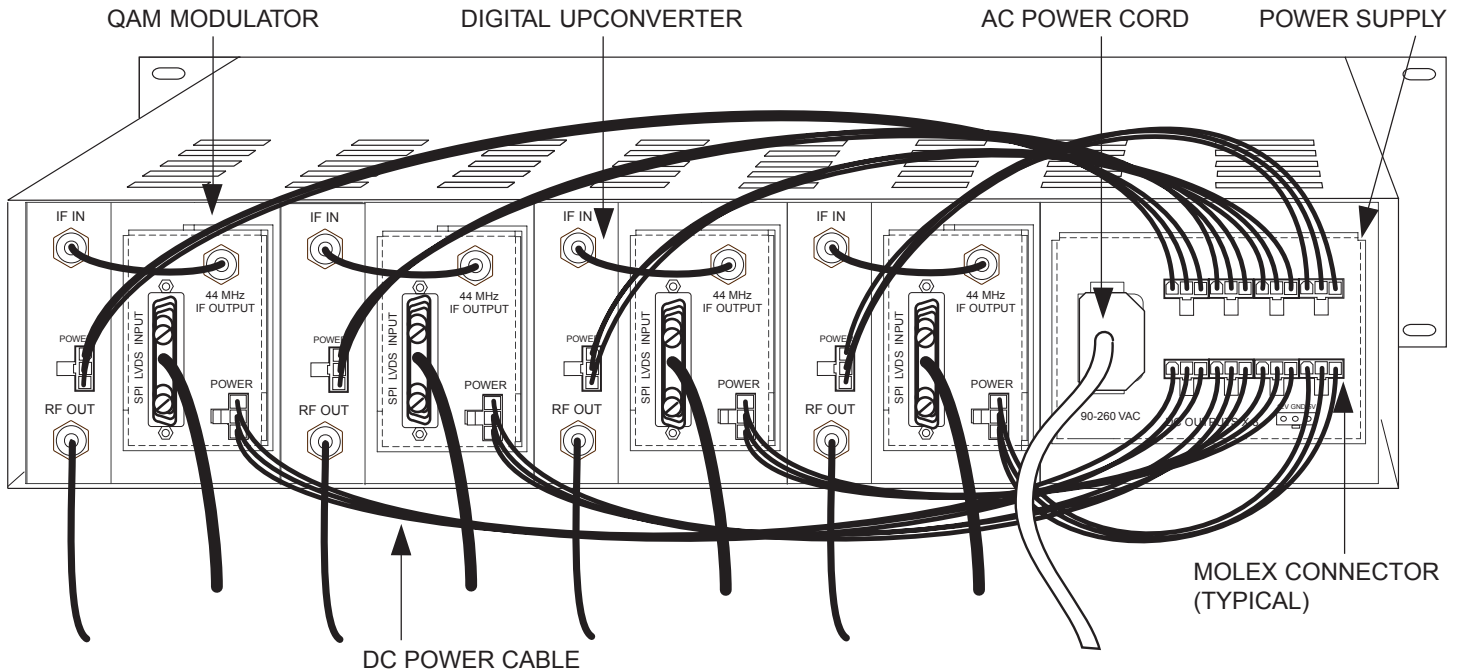


FIGURE 2 - Rear View of System with 4 QAM Modulators and 4 Digital Upconverters.

DRAKE[®]

R.L. DRAKE HOLDINGS, LLC
 9900 SPRINGBORO PIKE
 MIAMISBURG, OHIO 45342 U.S.A.
 CUSTOMER SERVICE AND PARTS TELEPHONE: +1 (937) 746-6990
 TELEFAX: +1 (937) 743-4576
 WORLD WIDE WEB SITE: <http://www.rldrake.com>

DRAKE
DIGITAL
DRAKE

TM is a trademark of R.L. Drake Holdings, LLC
 is a registered trademark of R.L. Drake Holdings, LLC.