

# Blonder Tongue

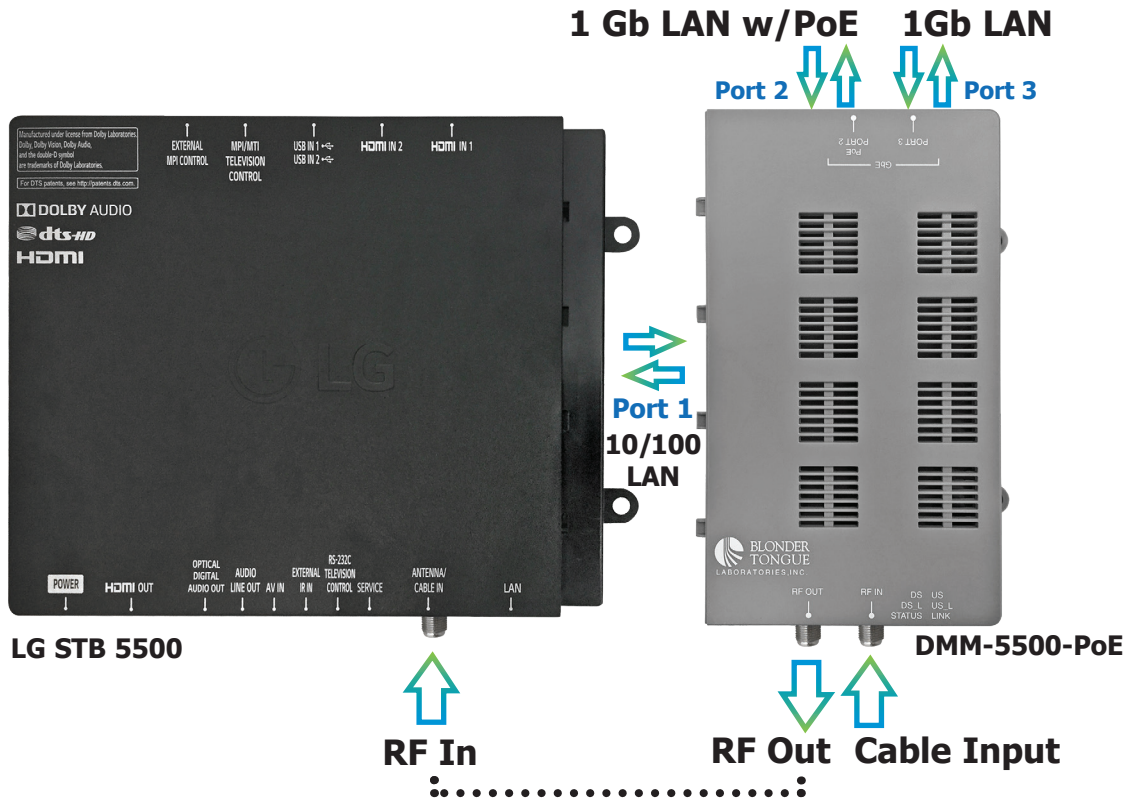
# DMM-5500-PoE

## DOCSIS 3.0 Cable Modem

### SOLUTIONS FOR ALL YOUR APPLICATIONS

The **DMM-5500-PoE** is a DOCSIS 3.0/2.0 compliant cable modem expansion module designed for compatibility and support with the LG STB 5500 serving Commercial TV and Lodging deployments. The DMM-5500-PoE features a built-in Ethernet switch that enables the unit to communicate with the LG STB 5500, and offers two additional RJ45 switched ports, one of which supports Power over Ethernet (PoE) providing Wireless Access Point (WAP) compatibility. The DMM-5500-PoE also supports Q-in-Q VLAN tagging. This feature provides property system management the ability to isolate traffic by VLAN - VLAN, unicast - multicast, and port - port for the utmost in guest data delivery security and efficiency.

This cost-effective, DMM-5500-PoE integrated solution delivers IP OTT communications, interactive guest services, and DOCSIS-based high-speed internet access (HSIA) over existing HFC and coaxial RF systems. Also, this versatile technology supports guest mobile devices with the addition of a wireless access point (WAP), and minimizes interconnect cabling and power requirements for cleaner, more reliable installations.



### Features

- DOCSIS 3.0/2.0 Compliant Modem
- Designed to mate with the LG STB 5500
- Built-in CATV Signal Splitter
- PoE and integrated Ethernet switch for Wireless Access Point (WAP) compatibility
- Supports Q-in-Q VLAN tagging for guest data delivery security.
- Supports IEEE 802.1q transparent bridging among the DOCSIS STB and Ethernet networks
- Cost-effective solution for Lodging applications including:
  - Hotel Guest Rooms, Cruise Ship Cabins, Assisted Living and Healthcare Facilities

### Ordering Information

Model	Stock #	Description
DMM-5500-PoE	2332A	DOCSIS Modem Module with PoE and Ethernet Switch

# Specifications

## RF Downstream

<b>Frequency Range:</b>	108~1002 MHz (DOCSIS)
<b>Demodulation:</b>	QAM 64/ QAM 256
<b>Max. Data Rate:</b>	Up to 320 Mbps with 8DS channel bonding (DOCSIS)
<b>Bandwidth:</b>	6 MHz (DOCSIS)
<b>Signal Level:</b>	-15~ 15 dBmV (DOCSIS)
<b>Input Return Loss:</b>	> 7 dB DOCSIS (108 ~ 1002 MHz)

## Standards/Connectivity/Interfaces

<b>Protocol Support:</b>	DOCSIS 3.0/2.0
<b>Interfaces</b>	
<b>DOCSIS RF</b>	
<b>CATV In:</b>	1x "F" Type Female
<b>CATV Out:</b>	1x "F" Type Female
<b>Ethernet</b>	
<b>Port 1:</b>	1x Internal Connector (10/100) to LG-5500 STB
<b>Port 2:</b>	1x RJ45 (10/100/1000) with PoE
<b>Port 3:</b>	1x RJ45 (10/100/1000) without PoE
<b>CPEs</b>	
<b>Maximum number of CPEs:</b>	64 (64 MAC addresses)
<b>Filtering:</b>	LLC: 16 IP: 32
<b>Number of SIDs:</b>	16
<b>Frequency Searching</b>	
<b>Frequency Cache:</b>	5 Entries
<b>Channel Plan:</b>	1 MHz (DOCSIS)

## Alarms/Monitoring/Control

<b>Diagnostic LEDs:</b>	DS, DS1, US, US1, STATUS, LINK
<b>Management:</b>	CMTS Control
<b>Surge Protection:</b>	On RF Input shall sustain at least 1 kV

## RF Upstream

<b>Frequency Range:</b>	5 ~ 85 MHz (DOCSIS 3.0)
<b>Modulation</b>	
<b>TDMA:</b>	QPSK, QAM 8, QAM 16, QAM 32, and QAM 64
<b>S-CDMA:</b>	QPSK, QAM 8, QAM 16, QAM 32, QAM 64, and QAM 128
<b>Max. Data Rate</b>	
<b>QPSK:</b>	320, 640, 1280, 2560, 5120kbps
<b>QAM 16:</b>	640, 1280, 2560, 5120, 10240kbps
<b>Bandwidth</b>	
<b>TDMA:</b>	200, 400, 800, 1600, 3200 and 6400 kHz
<b>S-CDMA:</b>	1600, 3200 and 6400 kHz
<b>Signal Level</b>	
<b>TDMA:</b>	+8 to +54 dBmV (QAM 32, QAM 64) +8 to +55 dBmV (QAM 8, QAM 16)
<b>S-CDMA:</b>	+8 to +58 dBmV (QPSK) +8 to +53 dBmV (all modulations)
-----	
Output level of CM can automatically be controlled by CMTS through power ranging function (1 dB steps)	
<b>Output Return Loss:</b>	> 7 dB DOCSIS (5 ~ 85 MHz)

## General

<b>Power:</b>	12 VDC from LG-5500 internal connector
<b>Power Dissipation:</b>	18.5 W (Typical operation), 22.25 W (Maximum)
<b>Mechanical</b>	
<b>Operating Temperature:</b>	32 to 104 °F (0 to 40 °C)
<b>Operating Humidity:</b>	10% to 90% (Non-condensing)
<b>Storage Temperature:</b>	14 to 122 °F (-10 to 50 °C)
<b>Dimensions (W x H x D):</b>	4.44 x 1.13 x 7.25 in (112.71 x 28.58 x 184.15 mm)
<b>Weight:</b>	9.2 oz (260 g)

## Related Products

Model	Description
BT-CMTS-3000	Cable Modem Termination System
BT-CMTS-3210	DOCSIS 3.0 CMTS; 32x Downstream; 10x Upstream Channels
BT-CMTS-31000	DOCSIS 3.1/3.0/2.0 CMTS with Mixed Mode Feature (Simultaneous 3.1 & 3.0 CM Support)
DMM-5500	DOCSIS Modem Module
BTPRO-7000 CM8FO	HD Tablet with Cable Modem and Fiber Optic Options