

NXG-Cryptolink MobiTV

OTT Bulk IPTV Video Re-Distribution Module for B2B

Key Features

- » OTT Video to Linear Broadcast Conversion
- » Descrambles 64 Channels (per blade) for SMB and Hospitality
- » Creates Operator Service demarcation point for B2B
- » Descrambles Widevine DRM on MPEG-DASH ABR Unicasts
- » Selectable ABR profiles on a per channel basis
- » Uses standard MobiTV residential unicast feeds, no need to create separate dedicated bulk video multicast feeds
- » Deployed as Edge/IP architecture or centralized with HE/CO-based RFOG distribution architecture

Product Overview

The **NXG-Cryptolink MobiTV** module allows Cable, Fiber Optic, and Telco Operators to support Hospitality, Enterprise, and Healthcare customers in managing all their video services from one location, integrated directly into Service Operator's video distribution system.

With the Blonder Tongue NXG Cryptolink module, there is no need to purchase additional servers, STB or hospitality TV's to support SMB/Hospitality customers. Customers can simply add the **Cryptolink MobiTV** module to a NXG headend and create linear channel lineups at each customer's property in QAM, IP or Analog/NTSC formats.

Ordering Information

Model	Stock #	Description
NXG-Cryptolink MobiTV	6774 4	MobiTV bulk video ingest and descrambling module

NXG-Cryptolink MobiTV

OTT Bulk IPTV Video Re-Distribution Module for B2B

Module Specifications

Input	
ABR Protocol	MPEG - DASH
IP	2.5 Gb from NXG Backplane (IP from Master Controller)
Encryption	L3 Widevine with MobiTV Interfaces
Video Resolution	Pass-through
Closed Captioning	EIA-608 / EIA-708
Addressing	Unicast
Audio	
Input Formats	Pass-through only
Rates	Pass-through only

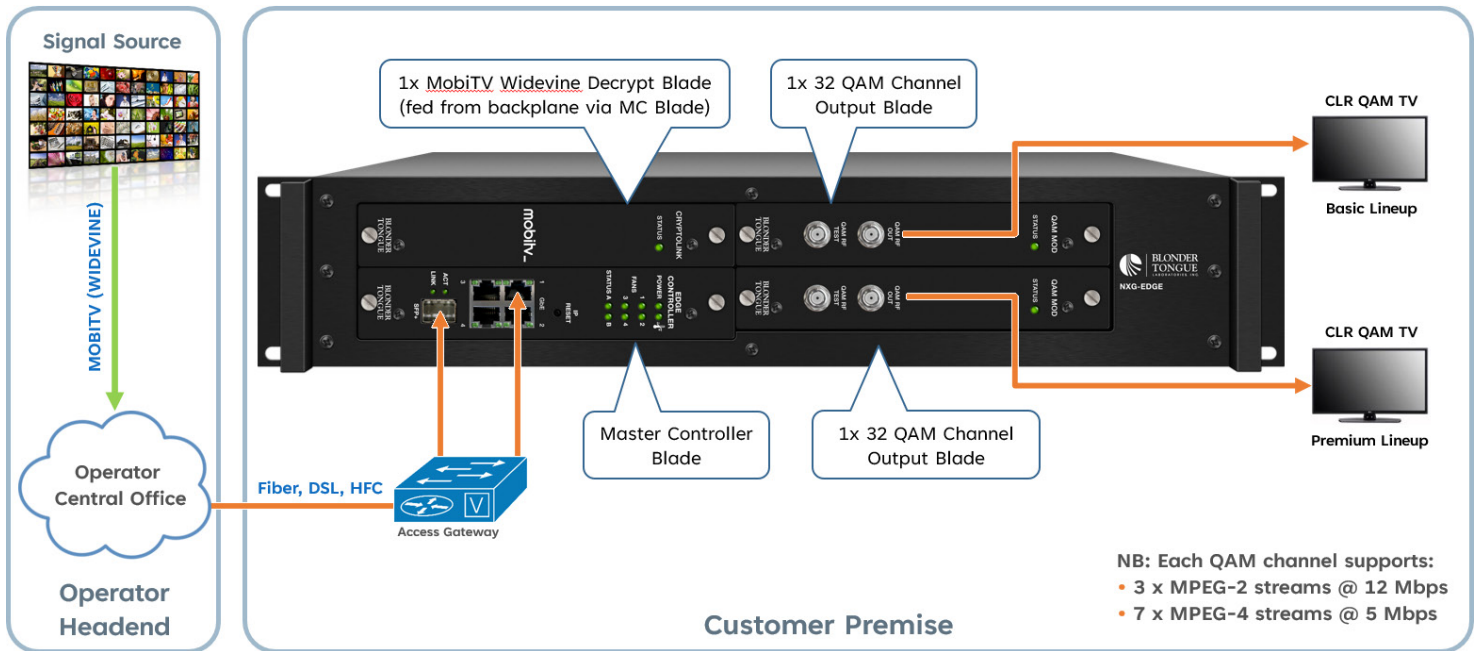
General	
Dimensions (W x H x D)	1.15 x 15.5 x 7.0 in (29 x 394 x 178 mm)
Power	DC via NXG Mainframe Backplane
Power Consumption	20 W
Weight	2.0 lbs (0.9 kg)
Operating Temp.	32 to 122 °F (0 to 50 °C)
Storage Temp.	-13 to 158 °F (-25 to 70 °C)
Operating Humidity	0 to 95% RH @ 35 °C max, non-condensing

Output	
UDP	SPTS to NXG Mainframe Backplane
Stream Protocols	
Standard	ISO / IEC 13818-1 Systems
TS Packet Length	188 bytes
Sync Byte	0x47
Encoding Type	CBR / Capped VBR
Video Data Rates	DASH stream dependent
TS Supported	64 SPTS
Video Format	MPEG-2; H.264 (AVC); H.265 (HEVC) (Pass-through only)
Video Resolution	Pass-through only
Addressing	Unicast
Audio	
Output Formats	Pass-through only

Alarms & Monitoring	
Front Panel	1x Status LED (Bicolor)

Application Diagrams

Customer Premise Application Example



Headend-Based Application Example

